

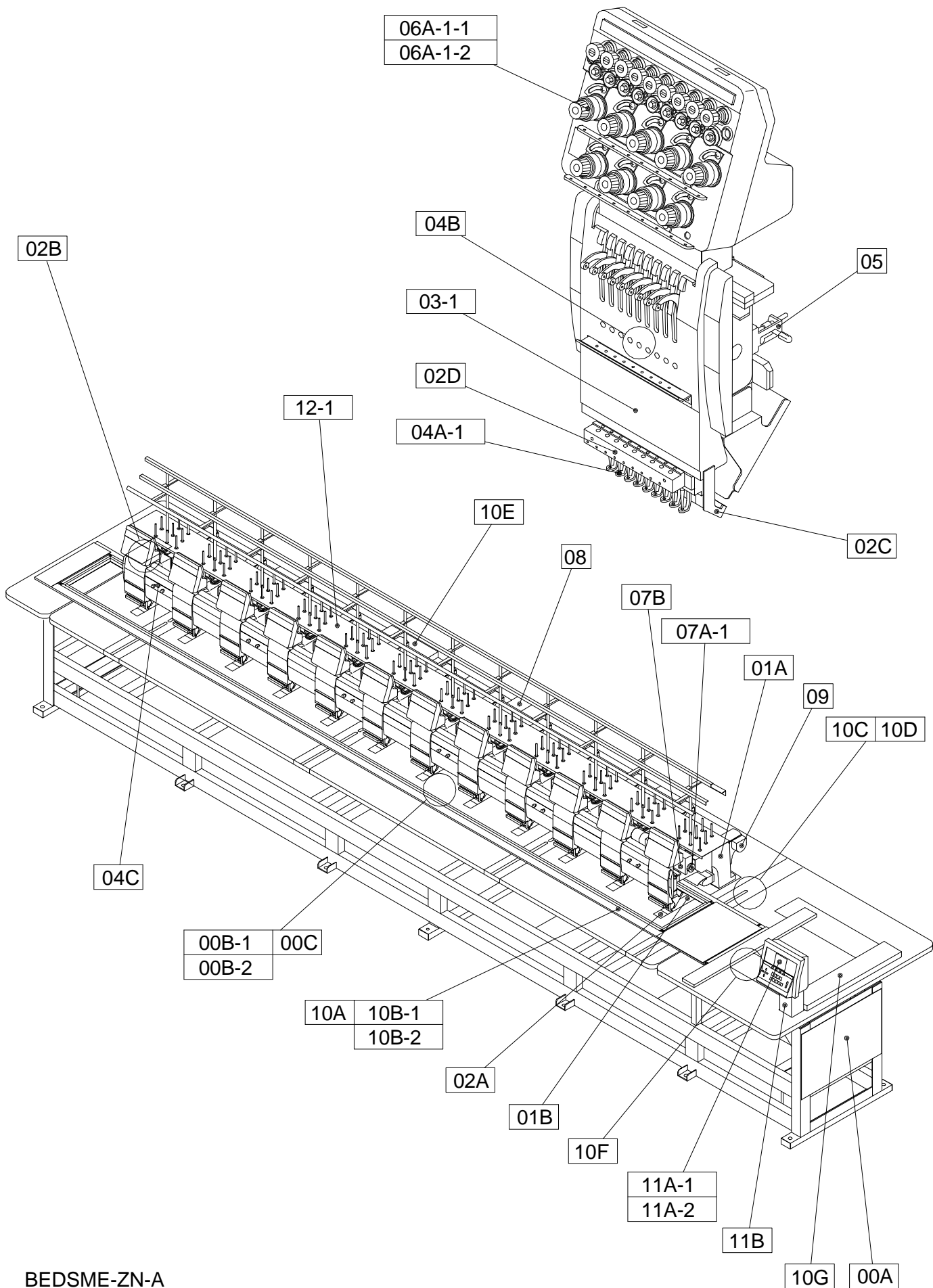
*Barudan*

HIGH SPEED AUTOMATIC EMBROIDERY MACHINE

**BEDSME-ZN/ZQ-A**

**PARTS LIST**

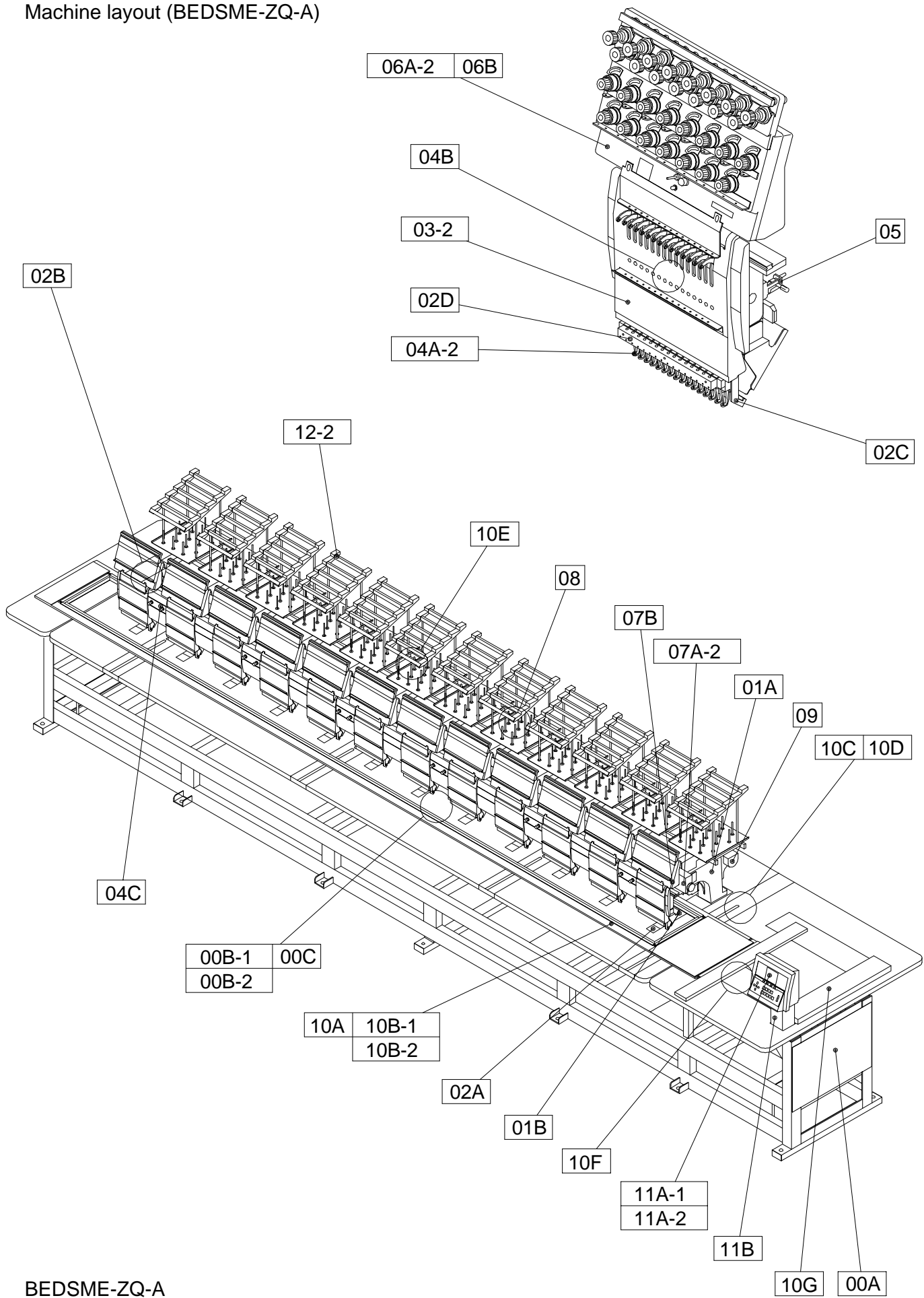
Machine layout (BEDSME-ZN-A)



From the library of: Diamond Needle Corp

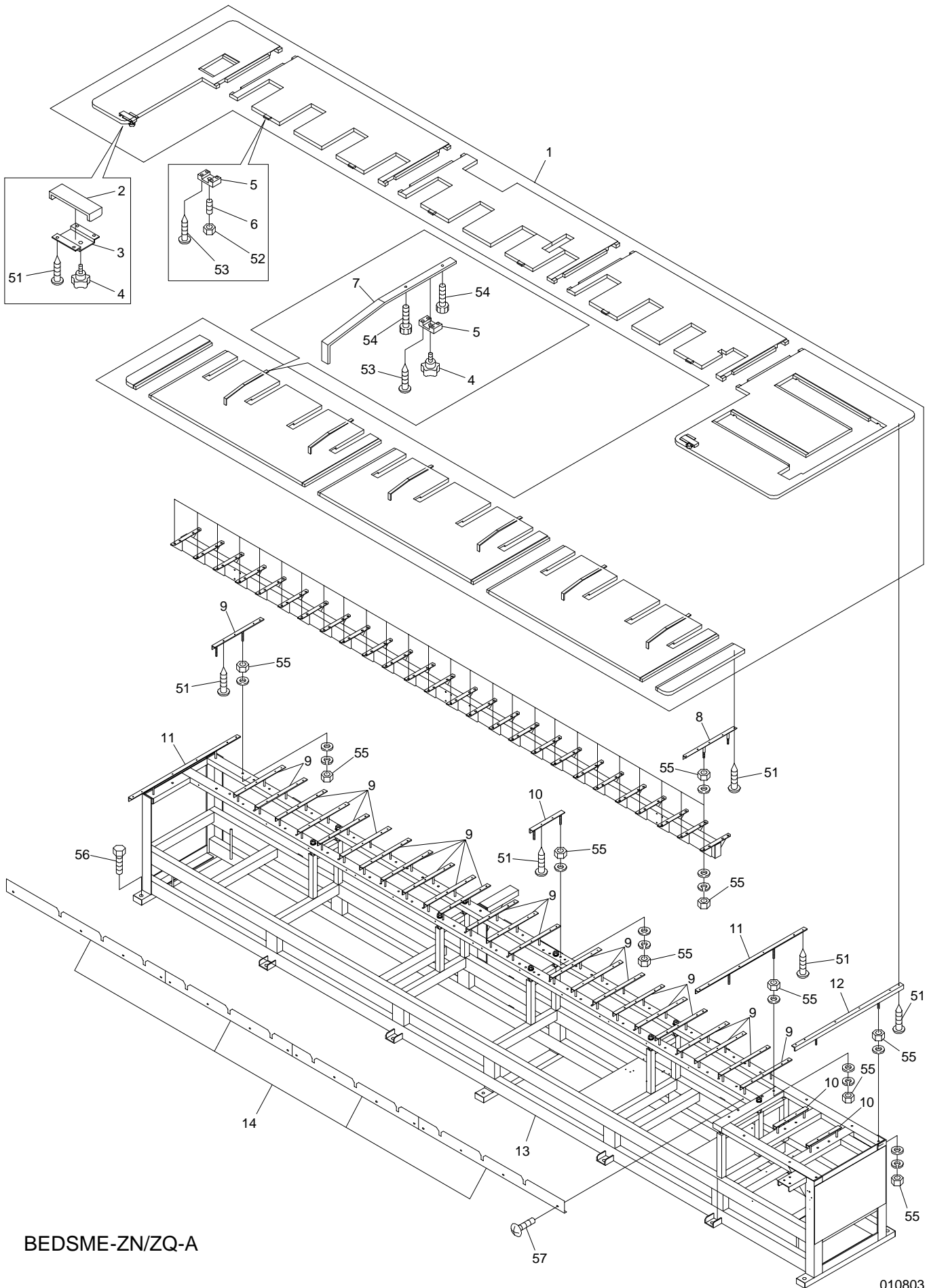
BEDSME-ZN-A

Machine layout (BEDSME-ZQ-A)



BEDSME-ZQ-A

00A Table - Frame A



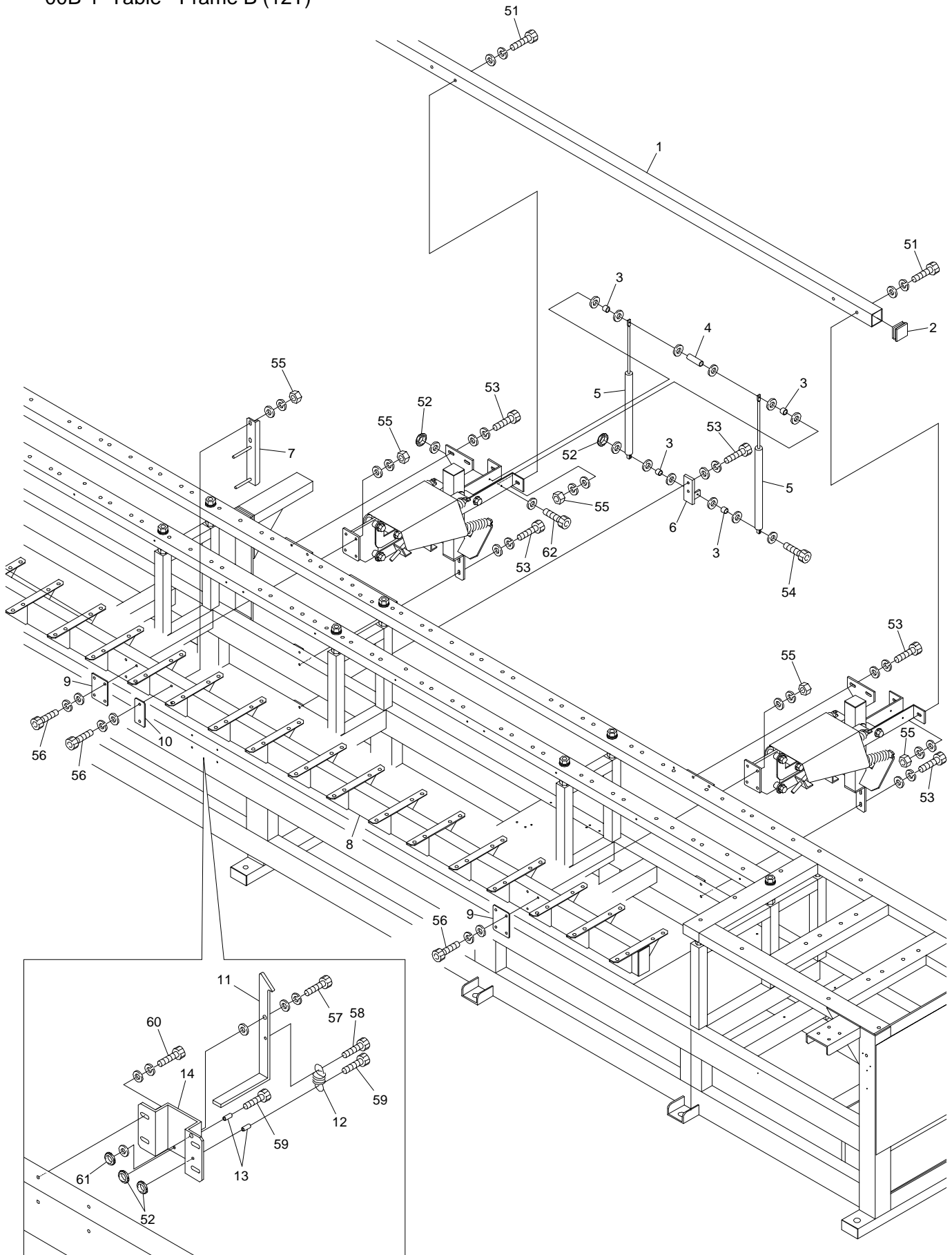
From the library of: Diamond Needle Corp

BEDSME-ZN/ZQ-A

010803



00B-1 Table - Frame B (12T)

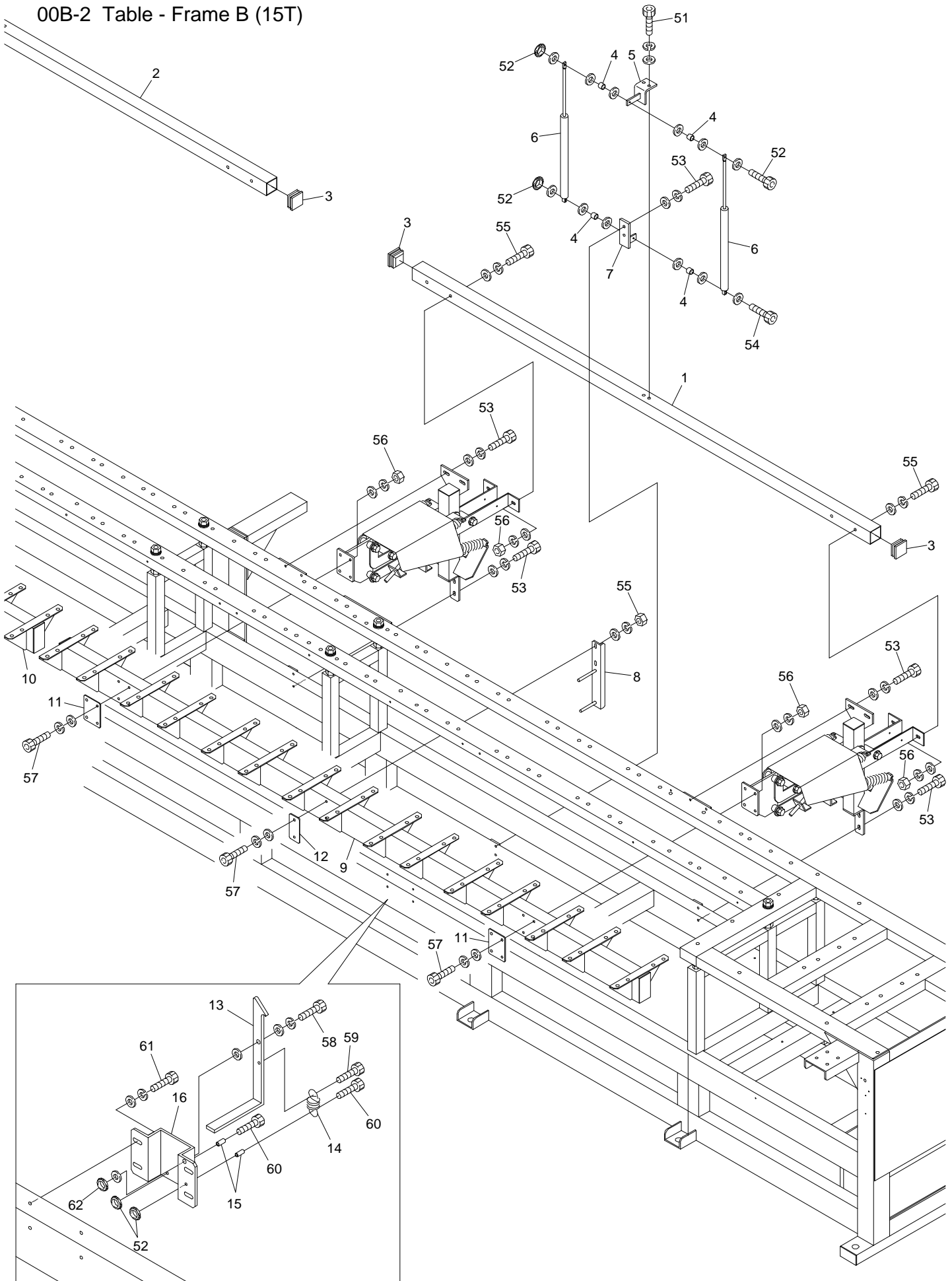


From the library of: Diamond Needle Corp

BEDSME-ZN/ZQ-A



00B-2 Table - Frame B (15T)

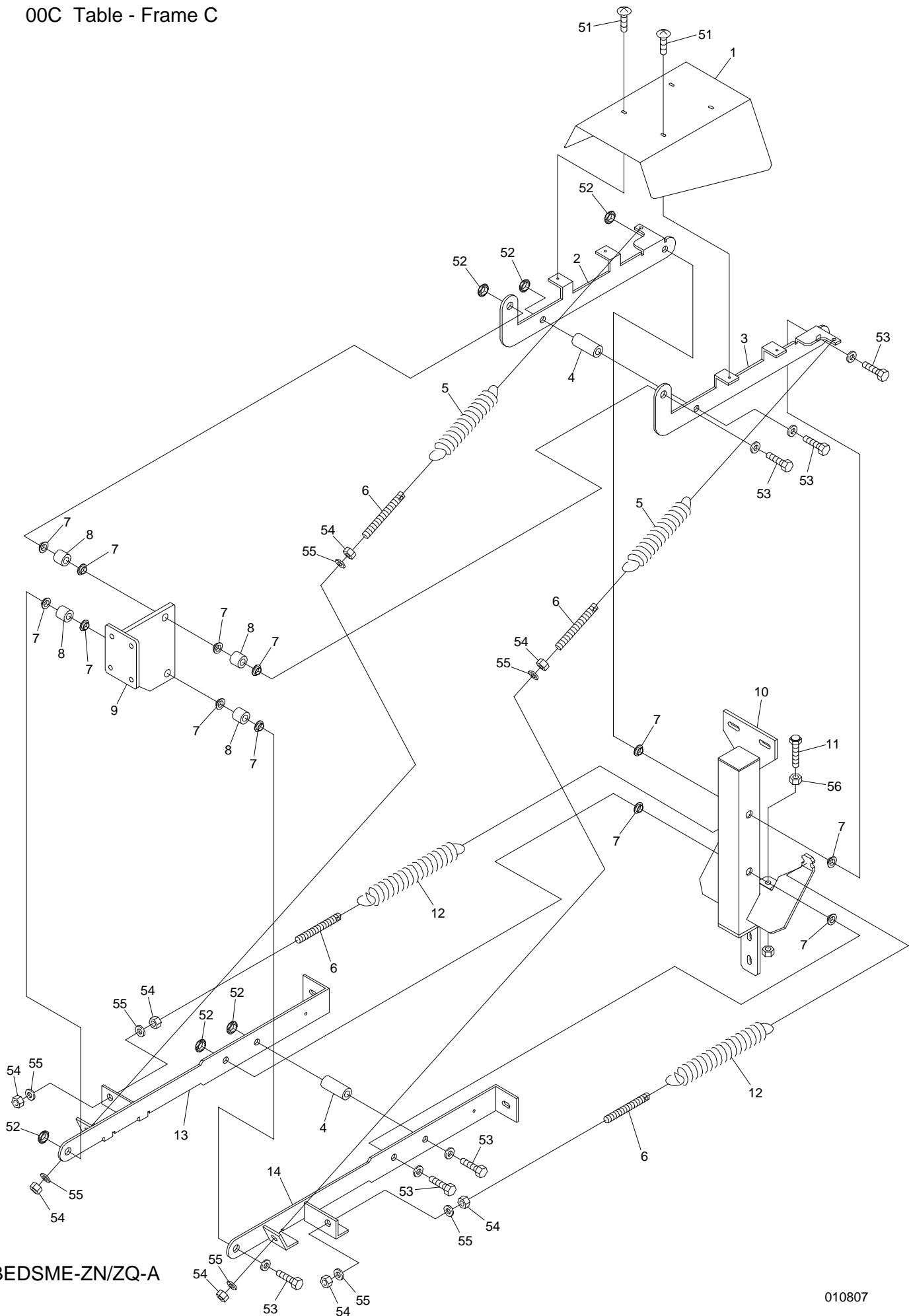


From the library of: Diamond Needle Corp





00C Table - Frame C

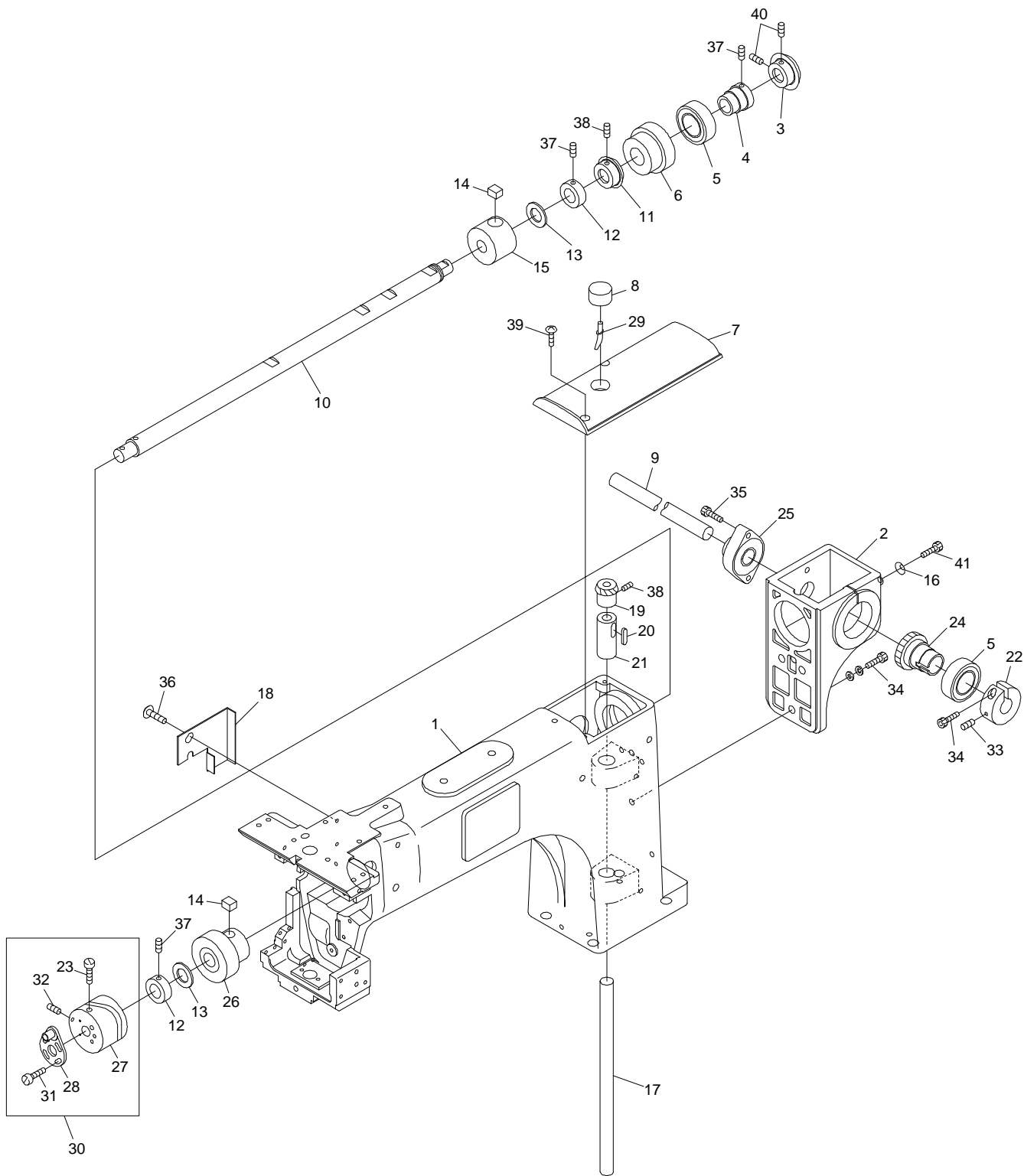


From the library of: Diamond Needle Corp

ITEM	LIST NO.	DESCRIPTION	Q'TY	NOTE
1	SF150091	Spring cover	Sx1	
2	SF150031	Lifter link(Upper) L	Sx1	
3	SF150021	Lifter link(Upper) R	Sx1	
4	SF150110	Stopper collar	Sx2	
5	KK140320	Lifter spring(Upper)	Sx2	
6	KK140080	Spring adjust screw	Sx4	
7	KK140340	Lifter table support bush	Sx12	
8	SF150100	Link assemble collar	Sx4	
9	SF150062	Lifter table support	Sx1	
10	SF150011	Lifter link base	Sx1	
11	A9012231	Stopper bolt with urethane(UST-10-50)	Sx1	
12	LA140240	Lifter spring	Sx2	
13	SF150051	Lifter link(Lower) L	Sx1	
14	SF150041	Lifter link(Lower) R	Sx1	
51		Truss screw M4x6		
52		U-nut M10x1.5		
53		Hex.bolt M12		
54		Hex.nut M12		
55		Plain washer M12		

From the library of: Diamond Needle Corp

01A Head - Bed A

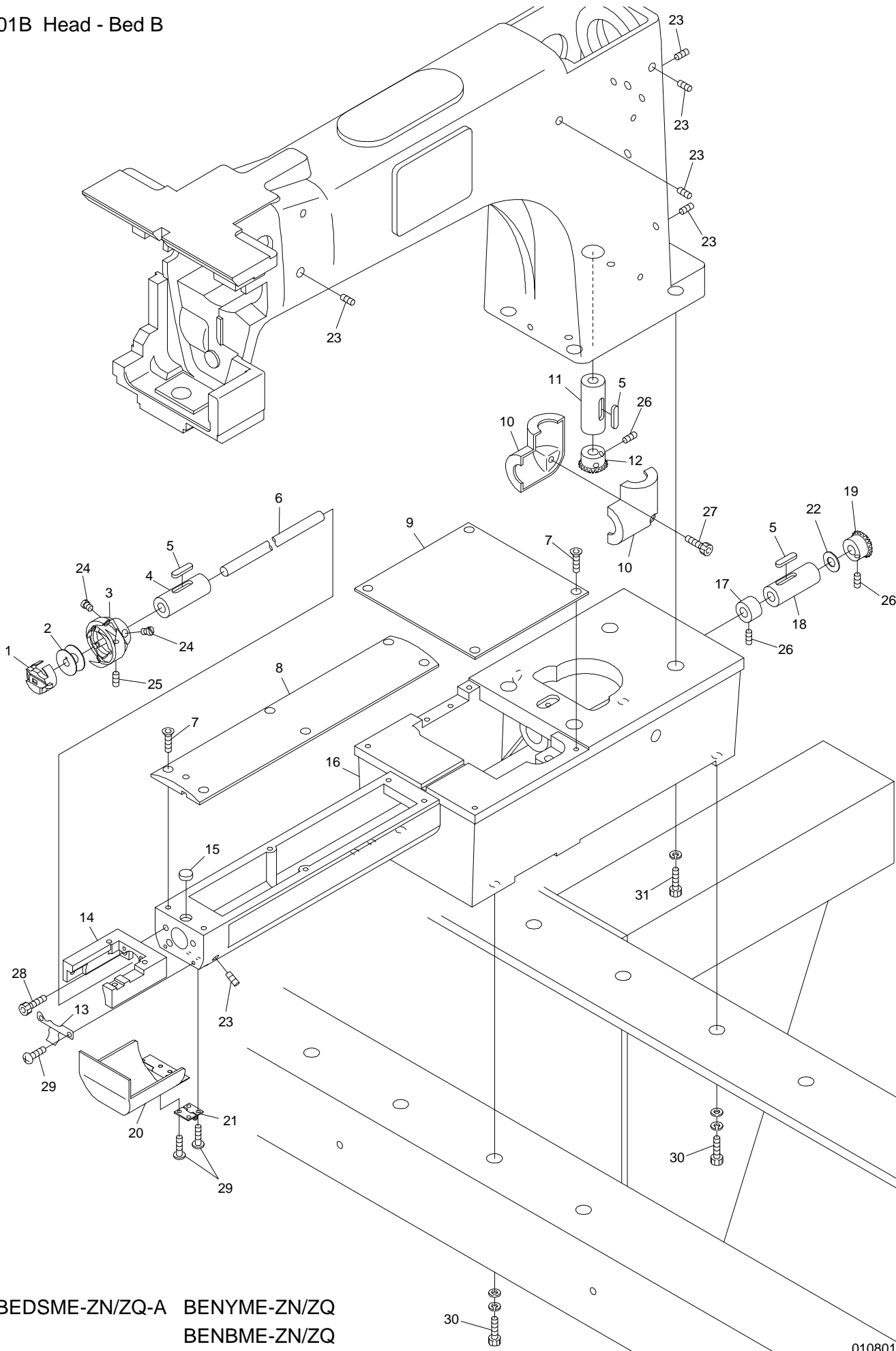


From the library of: Diamond Needle Corp

BEDSME-ZN/ZQ-A BENYME-ZN/ZQ  
BENBME-ZN/ZQ

ITEM	LIST NO.	DESCRIPTION	Q'TY	NOTE
1	SF210010	Arm(DSME)	Hx1	
2	SF210030	Arm gear case(DSME)	Hx1	
3	KL220100	Upper shaft gear(Spiral bevel M1.5-25R)	Hx1	
4	KL220090	Upper shaft rear bearing collar	Hx1	
5	A9010017	Bearing(6004ZZ)	Hx2	
6	KL220040	Upper shaft rear bearing case	Hx1	
7	KL250040	Arm top cover	Hx1	
8	KL220150	Oil felt D	Hx1	
9	HB320070	Connecting shaft f15x3300		
10	KL220000	Upper shaft	Hx1	
11	KF220130	Bevel gear(Upper shaft)	Hx1	
12	KL220080	Upper shaft collar	Hx2	
13	HP231390	Thrust washer(Upper shaft gear)	Hx2	
14	KL220130	Oil felt B	Hx2	
15	KL220030	Upper shaft middle metal	Hx1	
16		Disk spring M6		
17	KL220010	Vertical shaft	Hx1	
18	SF250000	Arm side cable cover	Hx1	
19	KF220460	Bevel gear(Vertical shaft upper)	Hx1	
20	KL220140	Oil felt C	Hx1	
21	KL220050	Vertical shaft metal(Upper)	Hx1	
22	KL320020	Connecting gear clamp f19	Hx1	
23	KF230420	Take up lever cam set screw	Hx1	
24	KL320000	connecting gear(Spiral bevel M1.5-25L)	Hx1	
25	HP321140	Upper shaft connecting unit	Hx1	
26	KL220020	Upper shaft front metal	Hx1	
27	KB230030	Take up lever cam K6	Hx1	
28	KB230050	90°crank(Phase adjust type)	Hx1	
29	KC251330	Oil core L=75	Hx1	
30	KB230010	Take up cam K6 90°with crank	Hx1	
31	A9012007	Screw for bobbin(SM11/64 ?40x10)	Hx1	
32		Set screw (SM15/64 28x10) (With adhesive)		
33		Hex.socket set screw M6x10		
34		Hex.socket bolt M6x25		
35		Hex.socket bolt M6x8(With spring washer)		
36		Truss screw M4x8		
37		Hex.socket set screw M6x6		
38		Set screw(SM1/4 40x4)		
39		Truss screw M4x10		
40		Hex.socket set screw M6x6(With adhesive)		
41		Hex.socket bolt M6x60		

01B Head - Bed B



From the library of: Diamond Needle Corp

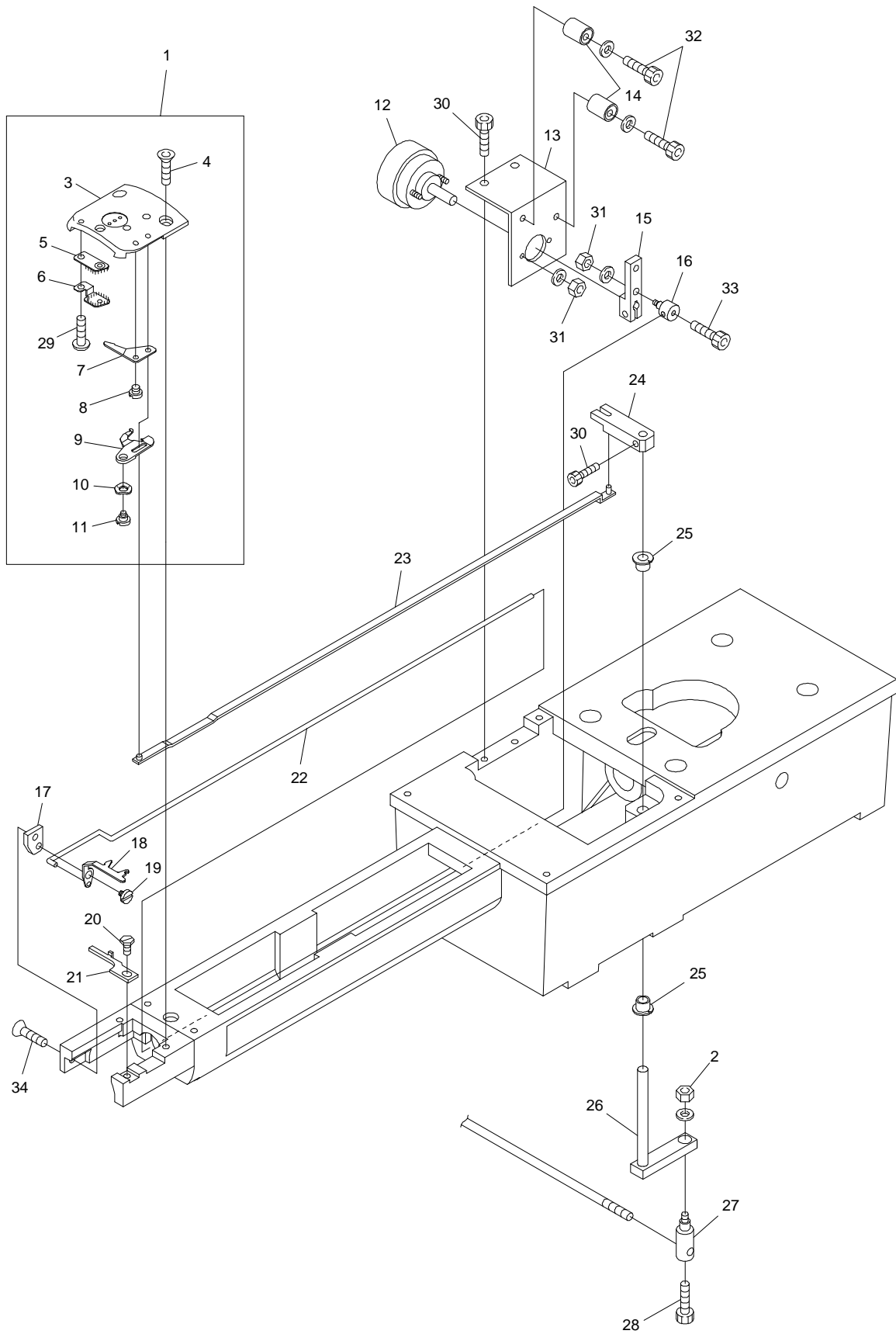
BEDSME-ZN/ZQ-A BENYME-ZN/ZQ  
BENBME-ZN/ZQ

010801

## 01B Head - Bed B

ITEM	LIST NO.	DESCRIPTION	Q'TY	NOTE
1	KF221020	Bobbin case(4B19-S6-BA)	Hx1	
2	KF220410	Bobbin	Hx1	
3	KF220710	Rotating hook complete KHS12-RYPBNW	Hx1	For small bobbin
	HB220010	Rotating hook complete(HSM-A-MQTS)	Hx1	For middle bobbin
4	KF220230	Lower shaft metal(Front)	Hx1	
5	KL220140	Oil felt C	Hx3	
6	KC220210	Lower shaft	Hx1	
7	KX250080	Needle plate set screw(Hex.socket)	Hx10	
8	SF250040	DSME cylinder bed cover	Hx1	
9	LA250040	Multi cylinder bed cover A	Hx1	
10	KF220271	Gear cover set	Hx1	
11	KL220060	Vertical shaft metal(Lower)	Hx1	
12	KF220470	Bevel gear(Vertical shaft upper)	Hx1	
13	KC250482	Barrel bed cover pressure spring	Hx1	
14	SF210060	Needle plate base(DSME)	Hx1	
15	KL220120	Oil felt A	Hx1	
16	SF210050	Multi cylinder bed(DSME)	Hx1	
17	KF220290	Lower shaft collar	Hx1	
18	KL220070	Lower shaft metal(Rear)	Hx1	
19	KF220480	Bevel gear(Lower shaft)	Hx1	
20	SF250030	DSME barrel bed cover	Hx1	
21	A9012027	Hinge(TH-TM-72)	Hx1	
22	HT220061	Thrust washer(Lower shaft)	Hx1	
23		Hex.socket set screw M6x8		
24		Screw(SM11/65 40x5)		
25		Screw(SM11/65 40x4)		
26		Screw(SM1/4 40x4)		
27		Hex.socket bolt M5x25		
28		Hex.socket bolt M5x15		
29		Pan screw M3x6		
30		Hex.socket bolt M8x30(With washers)		
31		Hex.socket bolt M12x35(With spring washer)		

02A Thread cut A



From the library of: Diamond Needle Corp

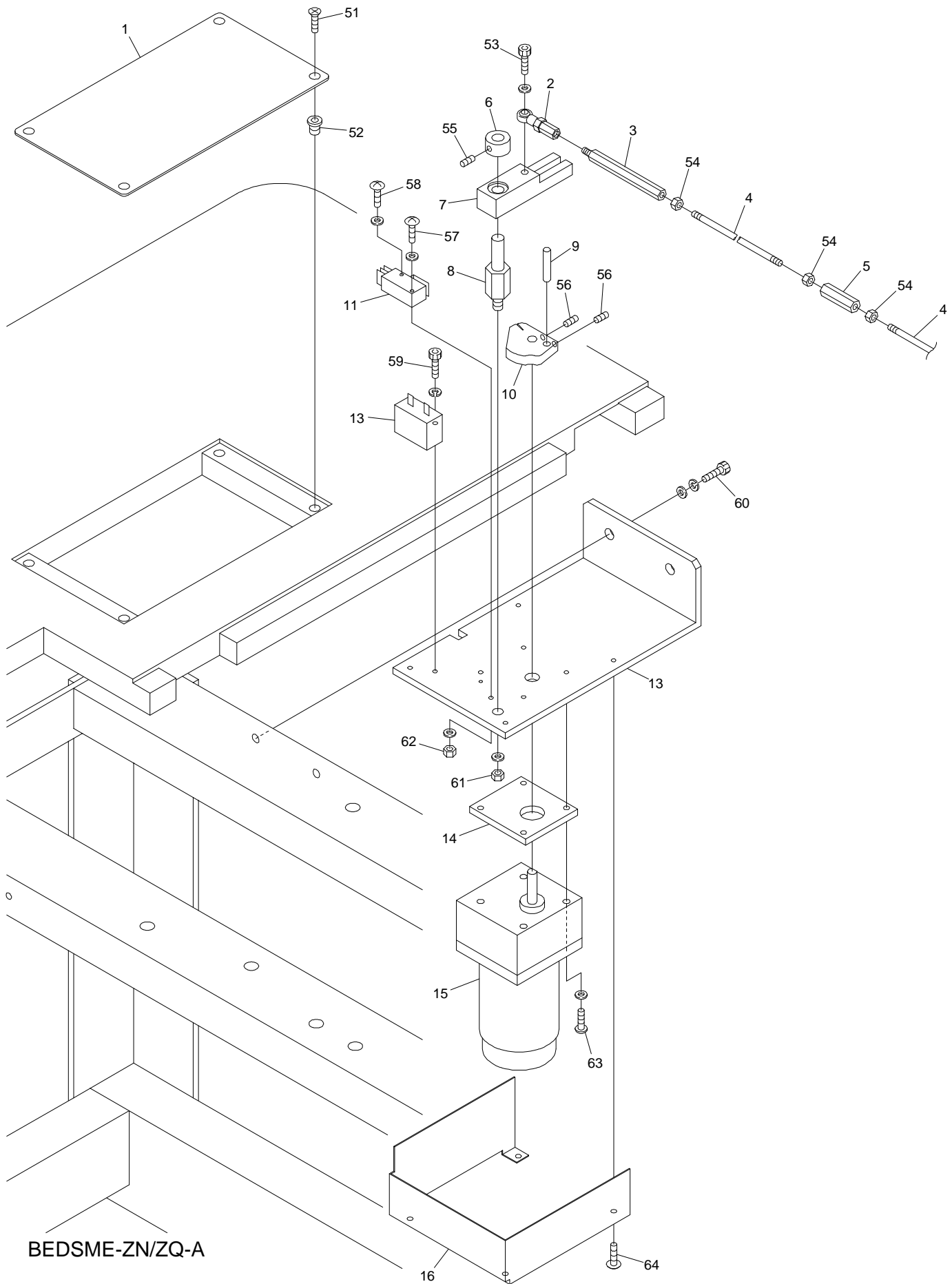
BEDSME-ZN/ZQ-A BENYME-ZN/ZQ BENT-ZN/ZQ  
BENBME-ZN/ZQ



02A Thread cut A

ITEM	LIST NO.	DESCRIPTION	Q'TY	NOTE
1	KX270282	Cylinder throat plate(R-type) a'ssy	Hx1	
2		Hex.nut M4		Except for NT
3	KX270022	Cylinder throat plate(R-type)	Hx1	
4	KX250080	Throat plate set screw(Hex.socket)	Hx2	
5	HT270160	Lower thread support stay upper CMP	Hx1	
6	HT270180	Lower thread support stay lower CMP	Hx1	
7	KN270961	Fixed knife	Hx1	
8	KX270010	Fixed knife set screw	Hx1	
9	KN270952	Driving knife	Hx1	
10	A9013066	Wave washer(WW5)(SK)	Hx1	
11	KC270970	Lower thread knife rotary shaft	Hx1	
12	A9056030	Rotary solenoid(3ER25-35x3x8x9)	Hx1	
13	LA270040	Solenoid stay	Hx1	
14	KN272401	Stopper eccentric	Hx2	
15	KC271940	Solenoid lever A	Hx1	
16	HS210080	Connecting clamp	Hx1	
17	HS210050	Hook fixing stay	Hx1	
18	HS210143	Hook(Small bobbin)	Hx1	
19	KC271001	Upper thread knife rotary shaft	Hx1	
20	KX270430	Screw(Cylinder)	Hx1	
21	KX270000	Rotating hook bobbin case holder position bkt	Hx1	
22	LA270020	Hook drive rod	Hx1	
23	LA270010	Lower thread knife driving rod	Hx1	
24	KC271120	Lower thread knife driving lever(Upper)	Hx1	
25	A9012114	DU bush with flange(MB0505-10FDU)	Hx2	
26	LA270030	Lower thread knife driving lever(Lower)	Hx1	Except for NT
27	KF230640	Lock connecting bar clamp	Hx1	Except for NT
28		Hex.socket bolt M4x8		Except for NT
29		Pan screw M3x3		
30		Hex.socket bolt M4x6		
32		Hex.socket bolt M4x18		
31		Hex.nut M3		
33		Hex.socket bolt M3x5		
34		Hex.socket flush svrew M4x6		

# 02B Thread cut B



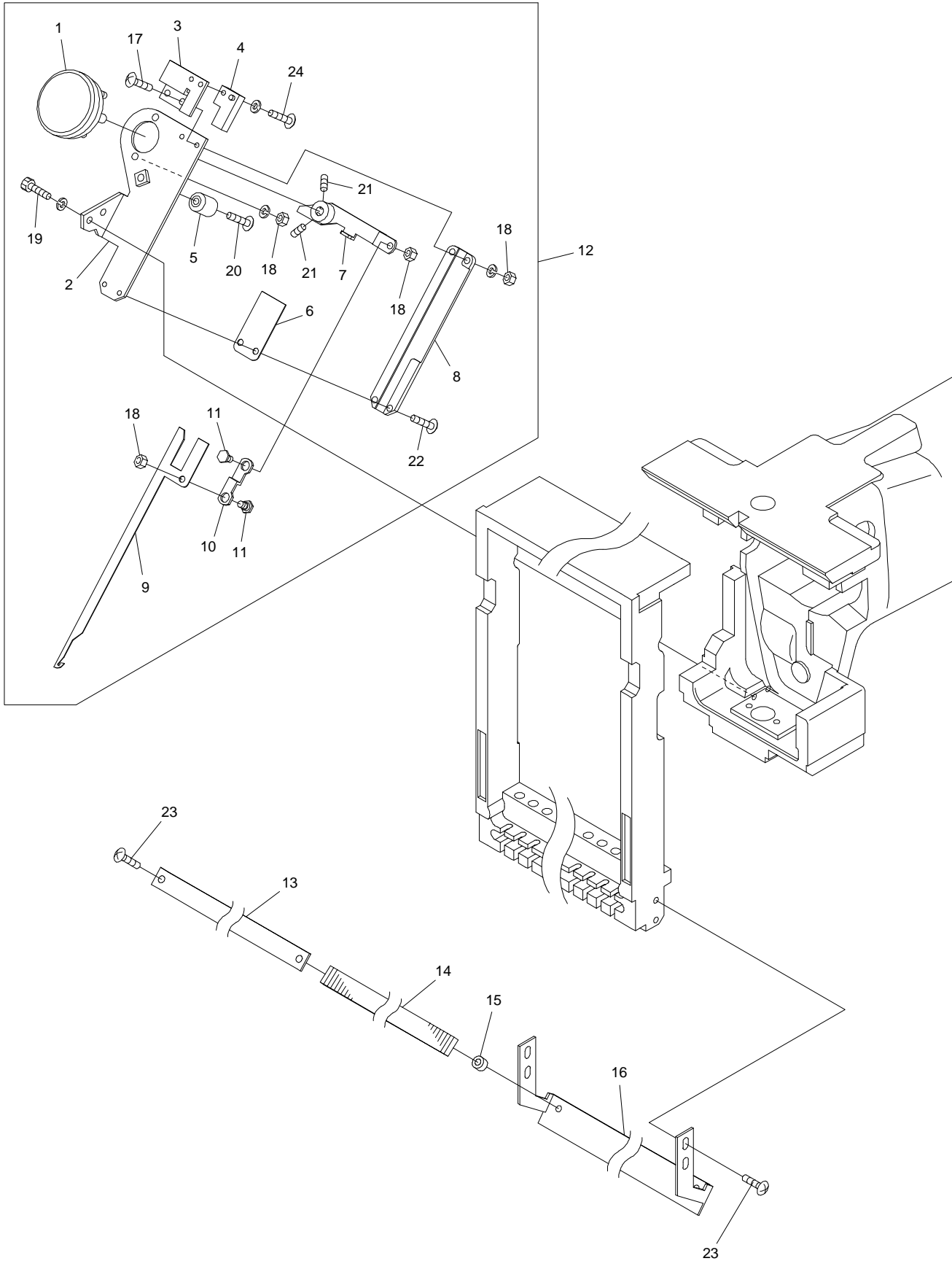
BEDSME-ZN/ZQ-A

02B Thread cut B

ITEM	LIST NO.	DESCRIPTION	Q'TY	NOTE
1	KC271440	Drive section service cover	1	
2	A9012002	Uniball joint(PR-6)	1	
3	KC330510	Hex.connecting rod	1	
4	KC330410	Lock connecting rod(2M)	3	Cut product
5	HH330770	Hex.connecting rod	2	
6	KC330180	Collar f10	1	
7	KC271141	Motor lever	1	
8	KC271151	Motor lever rotary shaft	1	
9	KN272350	Drive pin f(L=35)	1	
10	KS270030	Drive cam	1	
11	A9052005	Micro switch(V-01GL2255)	1	
12	A9054040	Condenser mold type 6 micro-200V	1	
13	SF270010	Motor bracket	1	
14	KC271430	Motor spacer	1	
15	A9065026	Reversible motor(RM-H6A8PF)	1	
16	SF270020	Motor bracket cover	1	
51		Flush screw M4x8(Undercut)		
52		Rag nut(C) M4		
53		Hex.socket bolt M6x20		
54		Hex.nut M5		
55		Hex.socket set screw M5x6		
56		Hex.socket set screw M5x8		
57		Truss screw M3x20		
58		Truss screw M3x15		
59		Hex.socket bolt M4x8		
60		Hex.socket bolt M8x25		
61		Hex.nut M8		
62		Hex.nut M3		
63		Pan screw M5x65		
64		Truss screw M4x6		

From the library of: Diamond Needle Corp

02C Thread cut C



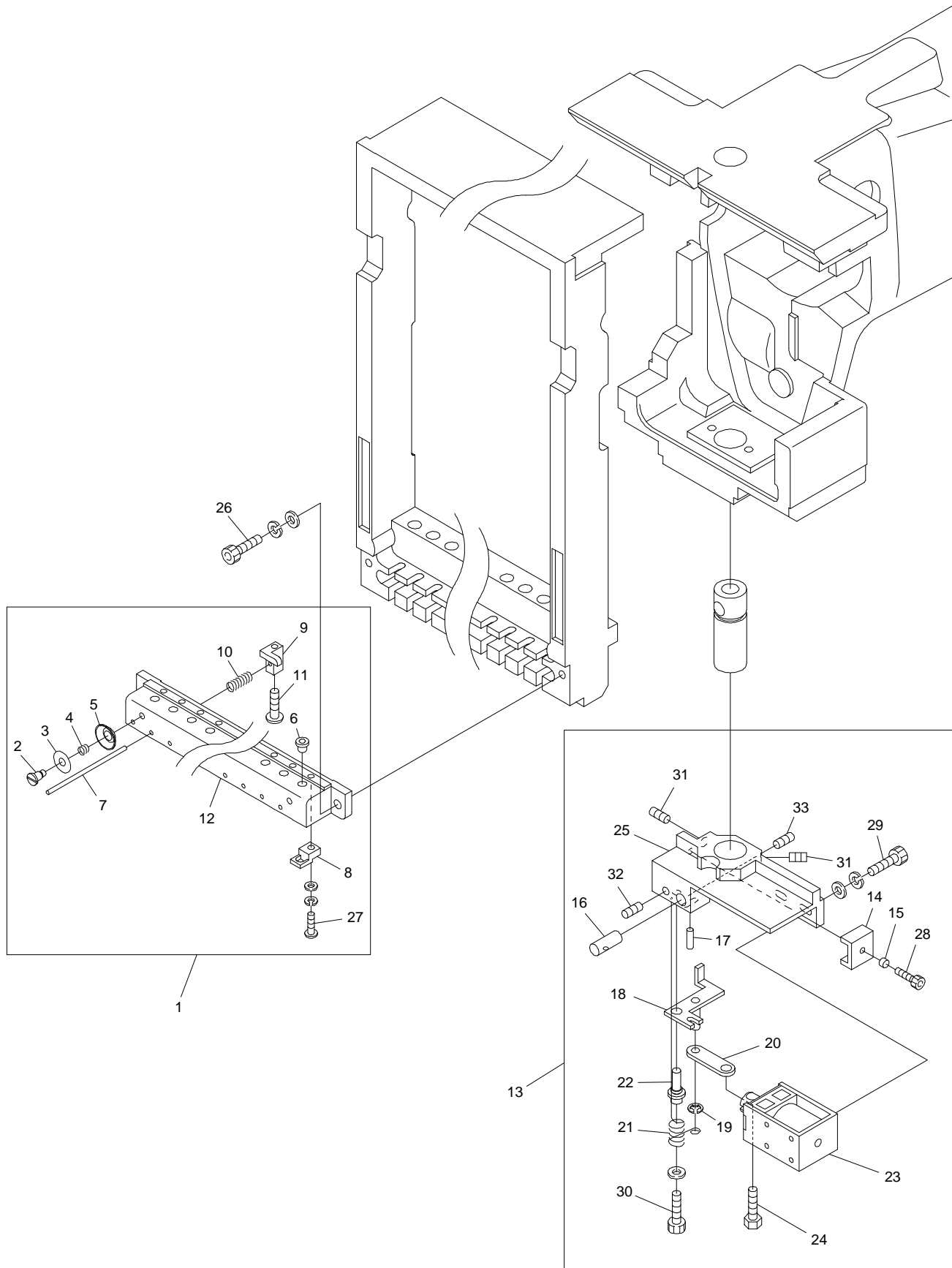
From the library of: Diamond Needle Corp

BEDSME-ZN/ZQ-A BENYME-ZN/ZQ BENT-ZN/ZQ  
BENBME-ZN/ZQ

ITEM	LIST NO.	DESCRIPTION	Q'TY	NOTE
1	A9056031	Rotary solenoid 4ER67.5-33x3x8x9	Hx1	
2	LA270100	Thread away base	Hx1	
3	KL270260	Switch stay	Hx1	
4	A9052028	Proximity switch(RS-603)	Hx1	
5	KN272400	Stopper eccentric	Hx1	
6	KL270450	Hook guide plate	Hx1	
7	KL270110	Thread away solenoid lever	Hx1	
8	KL270091	Thread away hook guide	Hx1	
9	KL270101	Thread away hook	Hx1	
10	KL270120	Connecting plate	Hx1	
11	KL270130	Lever connecting pin	Hx2	
12	LA270140	Thread away a'ssy	Hx1	
13	KX270050	Thread guard disk(Upper)	Hx1	ZN
	RD270040	Thread guard disk(Upper)	Hx1	ZQ
14	KX270370	Napped plate	Hx2	ZN
	RD270020	Napped plate	Hx2	ZQ
15	KX270070	Thread guard disk spacer	Hx2	
16	LA270120	Thread guard disk bracket(ZN-A)	Hx1	ZN
	LA270080	Thread guard disk bracket(ZQ-A)	Hx1	ZQ
17		Truss screw M3x10		
18		Hex.nut M4(With spring washer)		
19		Hex.socket bolt M4x12(Spring washer)		
20		Truss screw M4x16		
21		Hex.socket set screw M4x8		
22		Truss screw M3x6		
23		Truss screw M4x8		
24		Truss screw M3x6(With plain washer)		

From the library of: Diamond Needle Corp

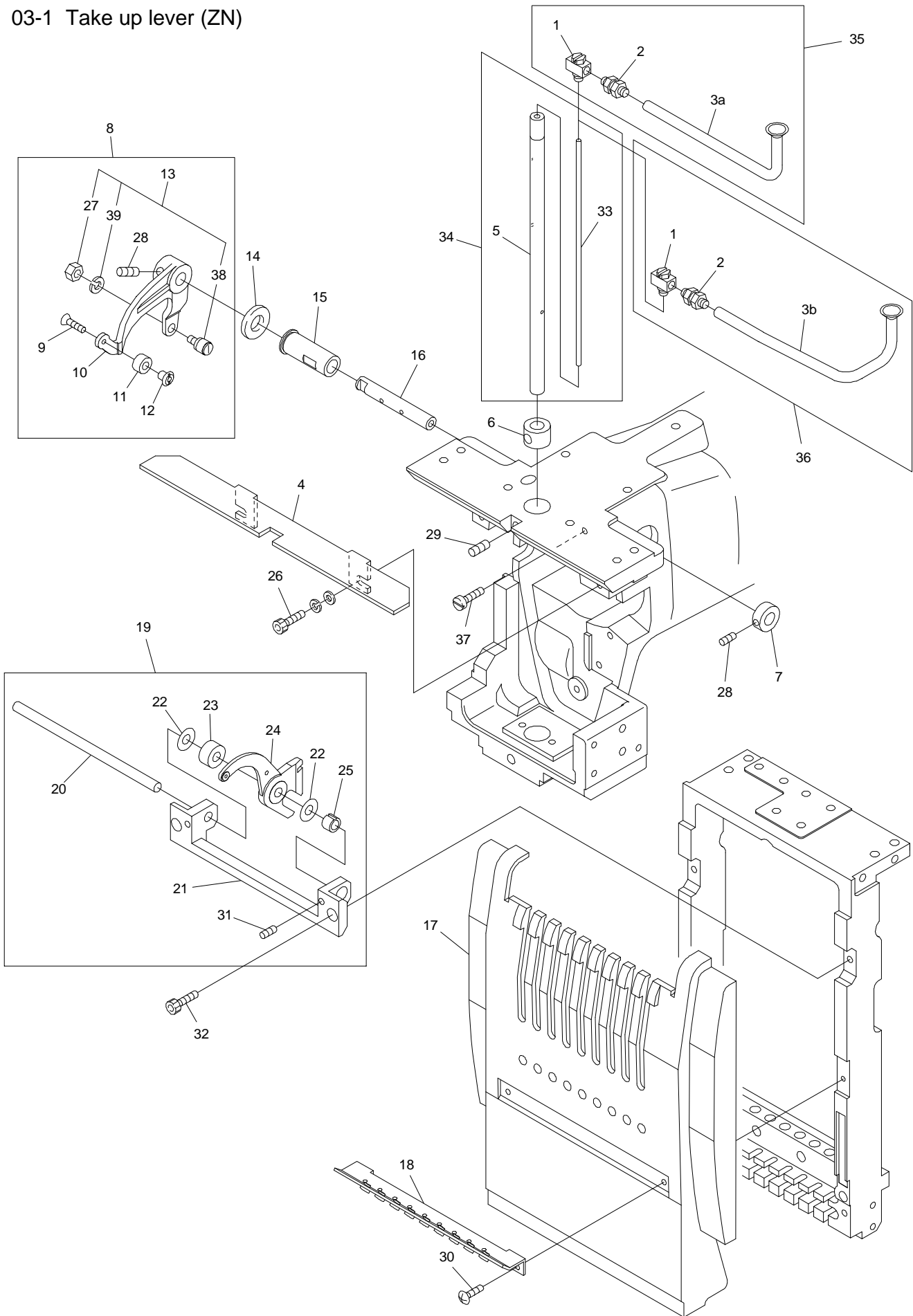
02D Thread cut D



02D Thread cut D

ITEM	LIST NO.	DESCRIPTION	Q'TY	NOTE
1	KX270230	Thread support apron a'ssy	Hx1	ZN
	RD270050	Thread support apron a'ssy	Hx1	ZQ
2	KF250250	Thread hook shaft screw		ZN...Hx2, ZQ...Hx3
3	KF250231	Thread guard spring holder		ZN...Hx2, ZQ...Hx3
4	KF250241	Thread hook spring		ZN...Hx2, ZQ...Hx3
5	KF250220	Thread guard disk		ZN...Hx2, ZQ...Hx3
6	KF230582	Thread way guide(For thread support apron)		ZN...Hx9, ZQ...Hx15
7	KX270110	Thread support pin		ZN...Hx9, ZQ...Hx15
8	KX270100	Thread support block		ZN...Hx9, ZQ...Hx15
9	KX270090	Thread support clamp		ZN...Hx9, ZQ...Hx15
10	KX270120	Thread support spring		ZN...Hx9, ZQ...Hx15
11	HT270063	Thread support clamp set screw(YN)		ZN...Hx9, ZQ...Hx15
12	KX270080	Thread support apron	Hx1	ZN
	RD270010	Thread support apron	Hx1	ZQ
13	LA270130	Thread support a'ssy	Hx1	
14	HT230520	Needle bar driver stopper	Hx1	
15	A9012368	Spacer(Bind bush)	Hx1	
16	KX270360	Thread support push rod	Hx1	
17	KX270320	Thread support push pin	Hx1	
18	LA270090	Thread support lever	Hx1	
19	A9012127	E-ring(f3)	Hx1	
20	KX270310	Thread support link	Hx1	
21	KX270350	Thread support return spring	Hx1	
22	KX270300	Thread support lever pin	Hx1	
23	A9056037	Keep solenoid TDS-K10SL(With cover)	Hx1	
24	KC270101	Solenoid pin	Hx1	
25	LA270070	Thread support base	Hx1	
26		Hex.socket bolt M4x12(With washers)		
27		Hex.socket button bolt M3x10(With washers)		
28		Hex.socket bolt M3x6		
29		Hex.socket bolt M3x8(With washers)		
30		Hex.socket bolt M3x6(With plain washer)		
31		Hex.socket set screw M5x8		
32		Hex.socket set screw M4x4		
33		Hex.socket set screw M3x6		

03-1 Take up lever (ZN)



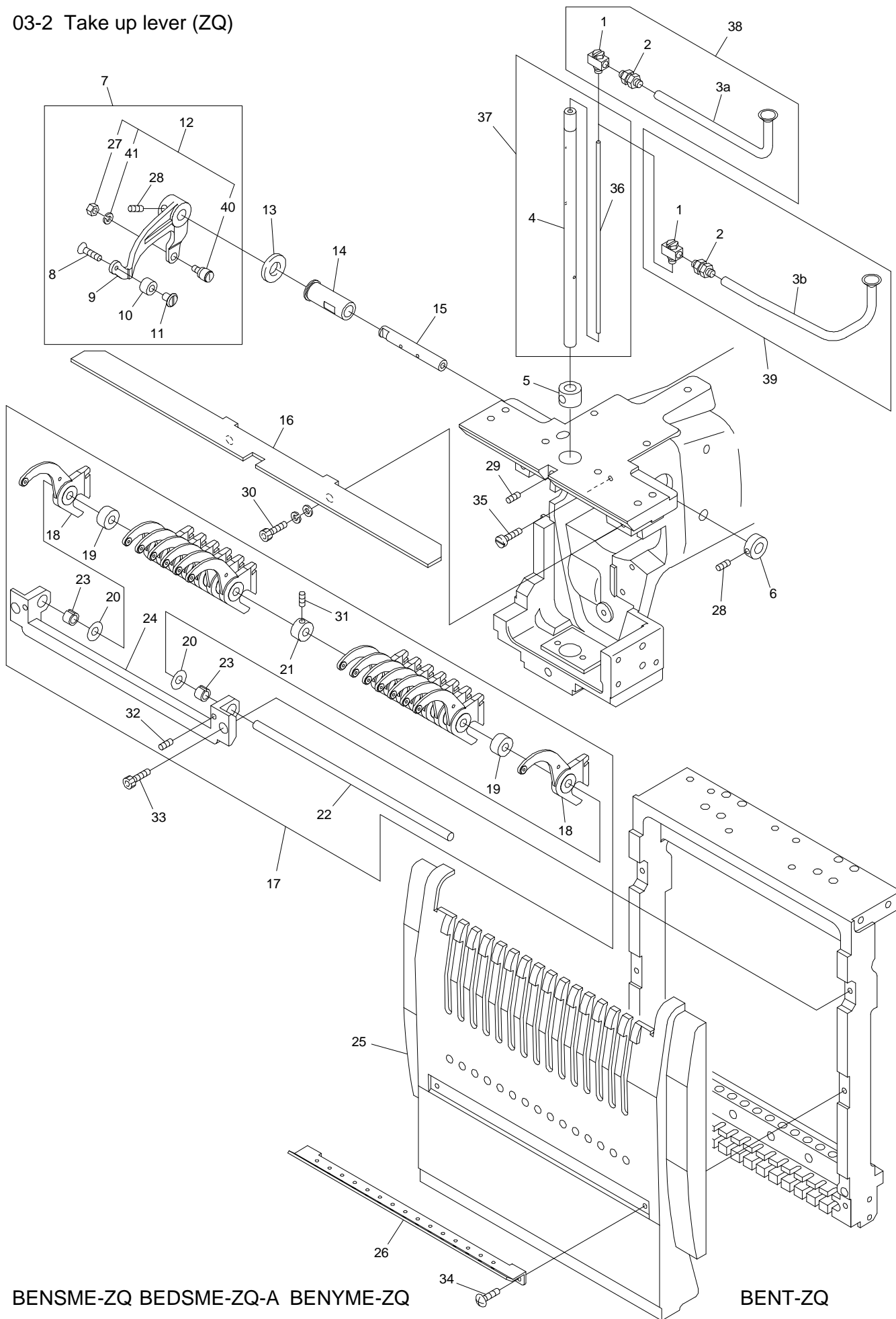
BENSME-ZN BEDSME-ZN-A BENYME-ZN BENT-ZN  
 BERNME-ZN BENBME-ZN



## 03-1 Take up lever (ZN)

ITEM	LIST NO.	DESCRIPTION	Q'TY	NOTE
1	A9075122	Universal elbow M-5UL	Hx1	
2	A9075123	Universal nipple M-5UN	Hx1	
3a	LA230260	Lubrication pipe	Hx1	Except for NT
3b	MG230000	Drive shaft lubrication pipe	Hx1	NT
4	KX230163	Stocker	Hx1	
5	LA230171	Slide shaft	Hx1	
6	KX230071	Slide shaft bush(Upper)	Hx1	
7	HB230270	Needle bar drive lever fixing pin set collar	Hx1	
8	KT230052	Take up lever drive lever a'ssy	Hx1	
9	HB230650	Flush screw(With adhesion)	Hx1	
10	KT230032	Take up lever driving lever	Hx1	
11	HT230090	Take up lever drive roller	Hx1	
12	HT230100	Take up lever drive roller shaft	Hx1	
13	KF230501	Take up lever roller a'ssy	Hx1	
14	A9012164	Washer(R-TW0815)	Hx1	
15	KB230100	Take up lever drive shaft metal	Hx1	
16	KB230110	Take up lever drive shaft	Hx1	
17	SF250020	Head cover ZN-A(DSME)	Hx1	
18	KX240161	Thread guard(With ceramic)	Hx1	
19	KX230200	Take up lever a'ssy	Hx1	
20	KX230130	Take up lever shaft	Hx1	
21	KX230110	Take up lever bracket	Hx1	
22	KX230310	Take up lever shim(t0.3)	Hx1	
23	KX230141	Take up lever spacer	Hx8	
24	KX230152	Take up lever(ZN multi)	Hx9	
25	KX230120	Take up lever collar	Hx1	
26		Hex.socket bolt M4x10(With washers)		
27		Hex.nut M4		
28		Hex.socket set screw M5x6(With adhesion)		
29		Hex.socket set screw M5x8		
30		Truss screw M3x10		
31		Hex.socket set screw M4x8		
32		Hex.socket bolt M4x8		
33	LA230340	Oil core	Hx1	
34	LA230420	Slide shaft a'ssy	Hx1	
35	LA230360	Lubrication pipe a'ssy for multi head type	Hx1	Except for NT
36	MG230010	Drive shaft lubrication pipe a'ssy	Hx1	NT
37		screw(SM11/64x11)		
38	KF230680	Cam followers(KRx4x7.9x15-1Px1)	Hx1	
39		Spring washer M4		

03-2 Take up lever (ZQ)



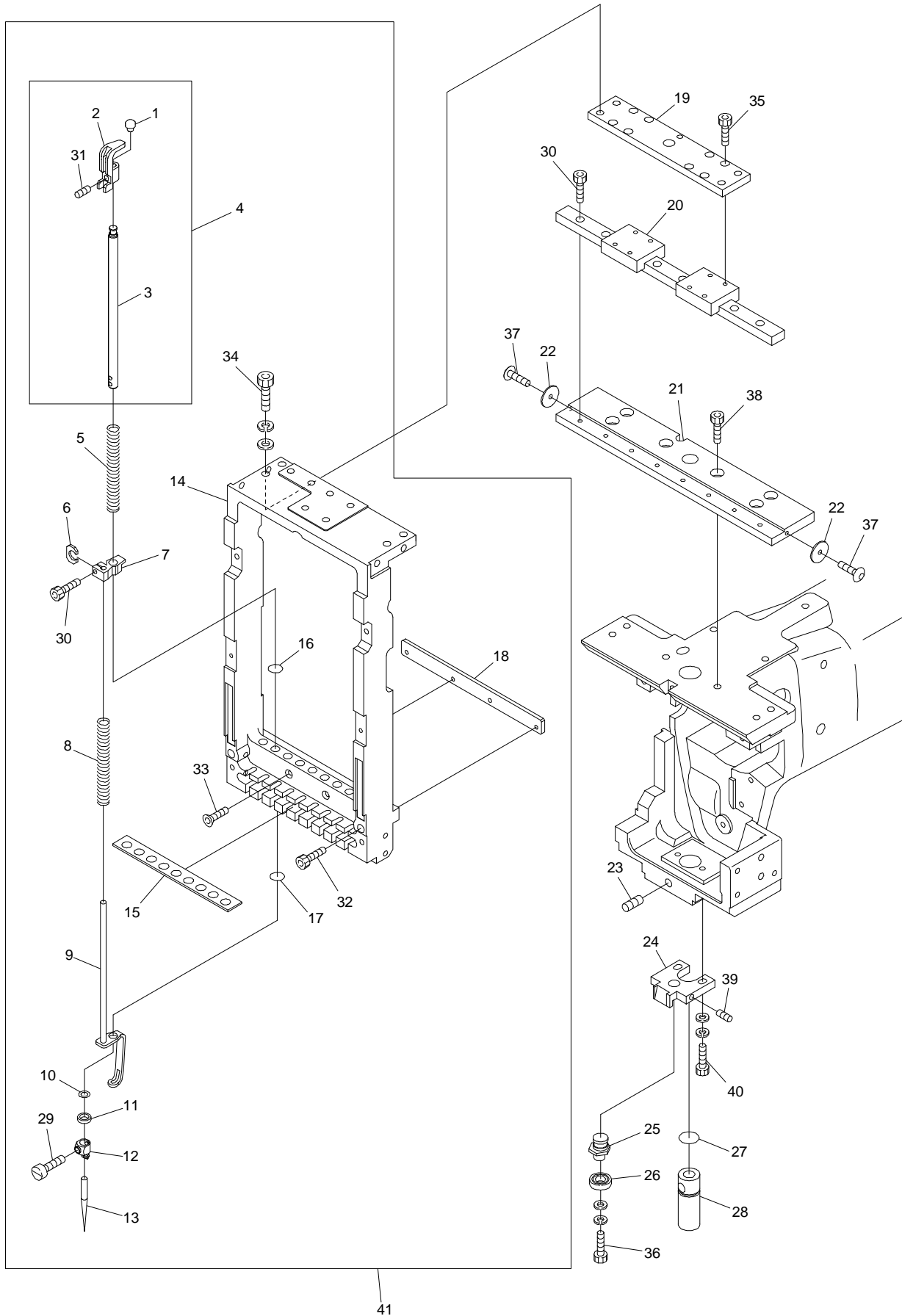
BENSME-ZQ BEDSME-ZQ-A BENYME-ZQ  
 BENRME-ZQ BENBME-ZQ

BENT-ZQ

## 03-2 Take up lever (ZQ)

ITEM	LIST NO.	DESCRIPTION	Q'TY	NOTE
1	A9075122	Universal elbow M-5UL	Hx1	
2	A9075123	Universal nipple M-5UN	Hx1	
3a	LA230260	Lubrication pipe	Hx1	Except for NT
3b	MG230000	Drive shaft lubrication pipe	Hx1	NT
4	LA230171	Slide shaft	Hx1	
5	KX230071	Slide shaft bush(Upper)	Hx1	
6	HB230270	Needle bar drive lever fixing collar	Hx1	
7	KT230052	Take up lever drive lever a'ssy	Hx1	
8	HB230650	Flush screw(With adhesion)	Hx1	
9	KT230032	Take up lever drive lever	Hx1	
10	RD230120	Take up lever drive roller	Hx1	
11	RD230130	Take up lever drive roller shaft	Hx1	
12	KF230501	Take up lever rollar a'ssy	Hx1	
13	A9012164	Washer(R-TW0815)	Hx1	
14	KB230100	Take up lever drive shaft metal	Hx1	
15	KB230110	Take up lever drive shaft	Hx1	
16	LA230251	Stocker	Hx1	
17	LA230410	Take up lever a'ssy(ZQ-A)	Hx1	
18	KX230152	Take up lever(ZN multi)	Hx15	
19	KX230141	Take up lever spacer	Hx13	
20	KX230310	Take up lever shim(t0.3)	Hx2	
21	RD230201	Take up lever spacer collar	Hx1	
22	RD230080	Take up lever shaft	Hx1	
23	KX230120	Take up lever collar	Hx1	
24	LA230281	Take up lever bracket	Hx1	
25	SF250050	Head cover ZQ-A(DSME)	Hx1	
26	RD240271	Thread guard(With guide)	Hx1	
27		Hex.nut M4		
28		Hex.socket set screw M5x6(With adhesion)		
29		Hex.socket set screw M5x8		
30		Hex.socket bolt M4x10(With washers)		
31		Hex.socket set screw M4x4		
32		Hex.socket set screw M4x8		
33		Hex.socket bolt M4x8		
34		Truss screw M3x10		
35		screw(SM11/64x11)		
36	LA230340	Oil core	Hx1	
37	LA230420	Slide shaft a'ssy	Hx1	
38	LA230360	Lubrication pipe a'ssy for multi head type	Hx1	Except for NT
39	MG230010	Drive shaft lubrication pipe a'ssy	Hx1	NT
40	KF230680	Cam followers(KRx4x7.9x15-1Px1)	Hx1	
41		Spring washer M4		

04A-1 Needle bar A (ZN)



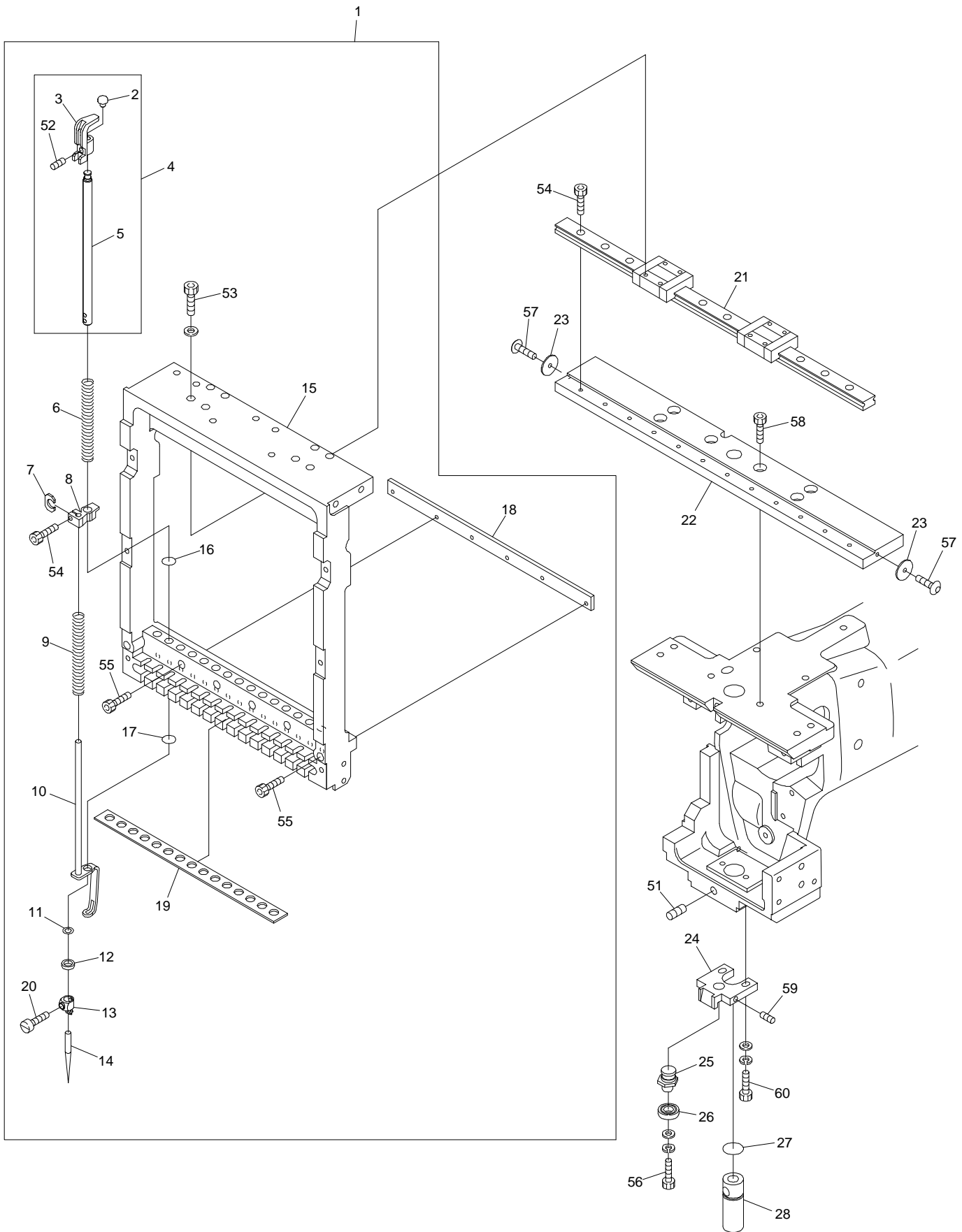
From the library of: Diamond Needle Corp

BENSME-ZN BEDSME-ZN-A BENYME-ZN BENT-ZN  
 BENRME-ZN BENBME-ZN

04A-1 Needle bar A (ZN)

ITEM	LIST NO.	DESCRIPTION	Q'TY	NOTE
1	HT230130	Needle bar cap	Hx9	
2	HT230151	Needle bar guide	Hx9	
3	HT230041	Needle bar	Hx9	
4	HT230810	Needle bar a'ssy	Hx9	
5	HT230251	Needle bar spring(Upper)	Hx9	
6	HT230263	Washer for set clamp	Hx9	
7	HT230330	Cloth winder stop latch set clamp	Hx9	
8	KX230251	Needle bar spring(Lower)	Hx9	
9	HT230143	Pressure foot	Hx9	
10	KF230910	O-ring(AN6227-5)	Hx9	
11	HT230120	Washer 2.4(YN)	Hx9	
12	HT230670	Needle clamp(With hook)	Hx9	
13	KF230250	Needle(DBK5-11)	Hx9	
14	KX230283	Slide block	Hx1	
15	KX230180	Needle bar felt	Hx1	
16	A9014055	O-ring(1-AS-7)	Hx9	
17	KF230920	O-ring(P7)	Hx9	
18	KX230040	Bearing plate	Hx1	
19	KX230010	LM base	Hx1	
20	KX230060	LM guide	Hx1	
21	KX230023	Base plate	Hx1	
22	KX230192	LM stopper	Hx2	
23		Hex.socket set screw M5x8	Hx2	
24	LA230140	Bearing guide	Hx1	
25	KX230050	Bearing pin	Hx1	
26	A9010065	Ball bearing 686zz	Hx1	
27	A9019037	O-ring(Bush lower S12.5 NOK)	Hx1	
28	LA230080	Slide shaft bush(Lower)	Hx1	
29	KF230240	Needle clamp screw(SM9/64 40)	Hx9	
30		Hex.socket bolt M3x8		
31		Hex.socket set screw M4x4		
32		Hex.socket bolt M3x25		
33		Hex.socket flush screw M3x25		
34		Hex.socket bolt M5x16(With washers)		
35		Hex.socket bolt M3x6		
36		Hex.socket bolt M4x6(With washers)		
37		Hex.socket button bolt M3x6		
38		Hex.socket bolt M5x12		
39		Hex.socket set screw(Dog point) M4x12		
40		Hex.socket bolt M4x15(With washers)		
41	LA230321	Slide block a'ssy	Hx1	

04A-2 Needle bar A (ZQ)



From the library of: Diamond Needle Corp

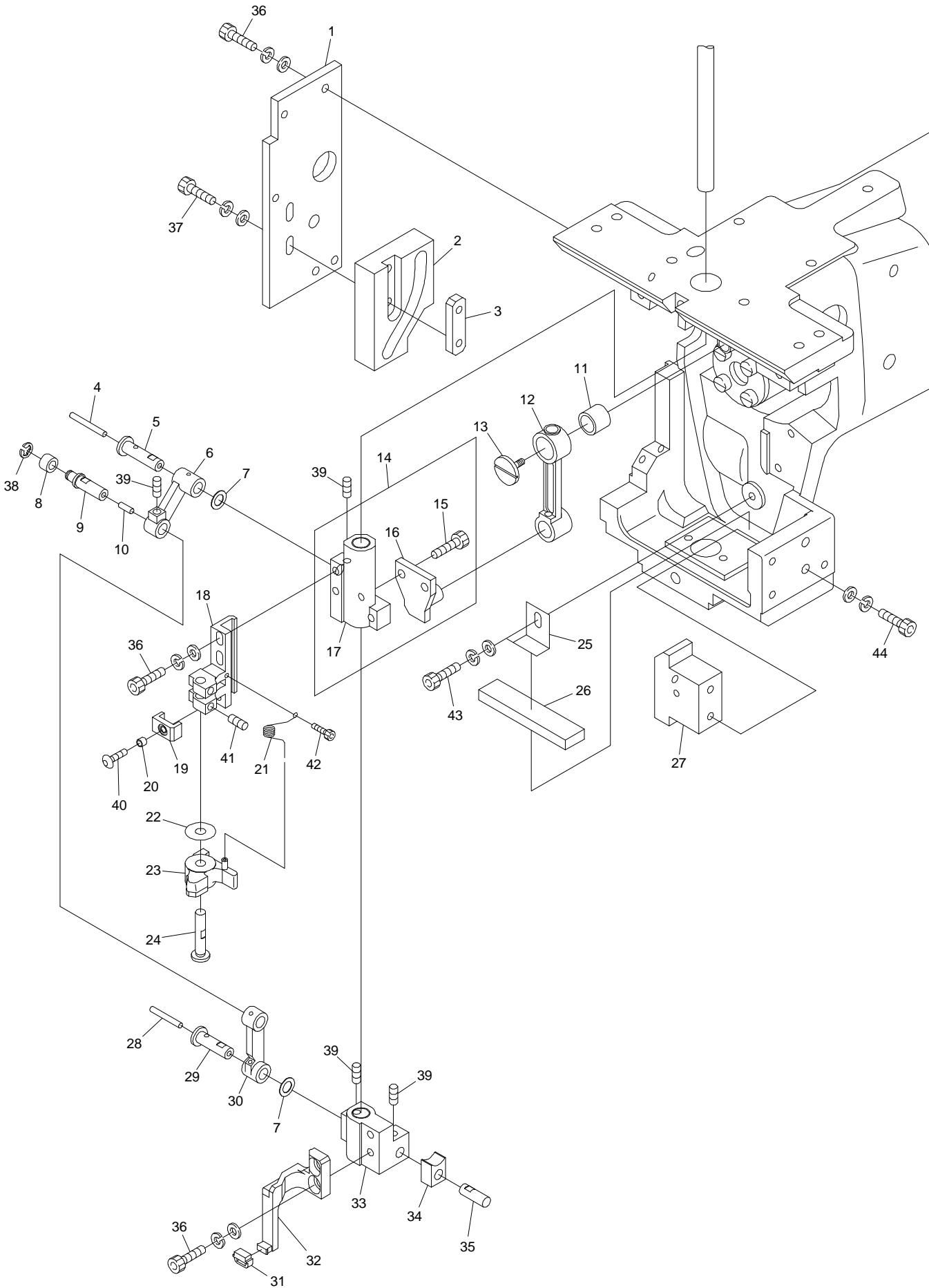
BENSME-ZQ BEDSME-ZQ-A BENYME-ZQ BENT-ZQ  
 BENRME-ZQ BENBME-ZQ

04A-2 Needle bar A (ZQ)

ITEM	LIST NO.	DESCRIPTION	Q'TY	NOTE
1	LA230300	Slide block a'ssy	Hx1	
2	HT230130	Needle bar cap	Hx15	
3	HT230151	Needle bar guide	Hx15	
4	HT230190	Needle bar a'ssy	Hx15	
5	HT230041	Needle bar	Hx15	
6	HT230251	Needle bar spring(Upper)	Hx15	
7	HT230261	Washer for set clamp	Hx15	
8	HT230330	Cloth winder stop latch set clamp	Hx15	
9	KX230251	Needle bar spring(Lower)	Hx15	
10	HT230143	Pressure foot	Hx15	
11	KF230910	O-ring(AN6227-5)	Hx15	
12	HT230120	Washer 2.4(YN)	Hx15	
13	HT230670	Needle clamp(With hook)	Hx15	
14	KF230250	Needle(DBK5-11)	Hx15	
15	LA230231	Slide block	Hx1	
16	A9014055	O-ring(1AS-7)	Hx15	
17	KF230920	O-ring(P7)	Hx15	
18	RD230060	Bearing plate	Hx1	
19	RD230070	Needle bar felt	Hx1	
20	KF230240	Needle clamp screw(SM9/64 40)	Hx15	
21	RD230020	LM guide	Hx1	
22	LA230221	Base plate	Hx1	
23	KX230192	LM stopper	Hx2	
24	LA230140	Bearing guide	Hx1	
25	KX230050	Bearing pin	Hx1	
26	A9010065	Ball bearing 686ZZ	Hx1	
27	A9019037	O-ring(Bush lower S12.5)	Hx1	
28	LA230080	Slide shaft bush(Lower)	Hx1	
51		Hex.socket set screw M5x8	Hx2	
52		Hex.socket set screw M4x4		
53		Hex.socket bolt M5x16(With plain washers)		
54		Hex.socket bolt M3x8		
55		Hex.socket bolt M3x25		
56		Hex.socket bolt M4x6(With washers)		
57		Hex.socket button bolt M3x6		
58		Hex.socket bolt M5x12		
59		Hex.socket set screw(Dog point) M4x12		
60		Hex.socket bolt M4x15(With washers)		

From the library of: Diamond Needle Corp

04B Needle bar B



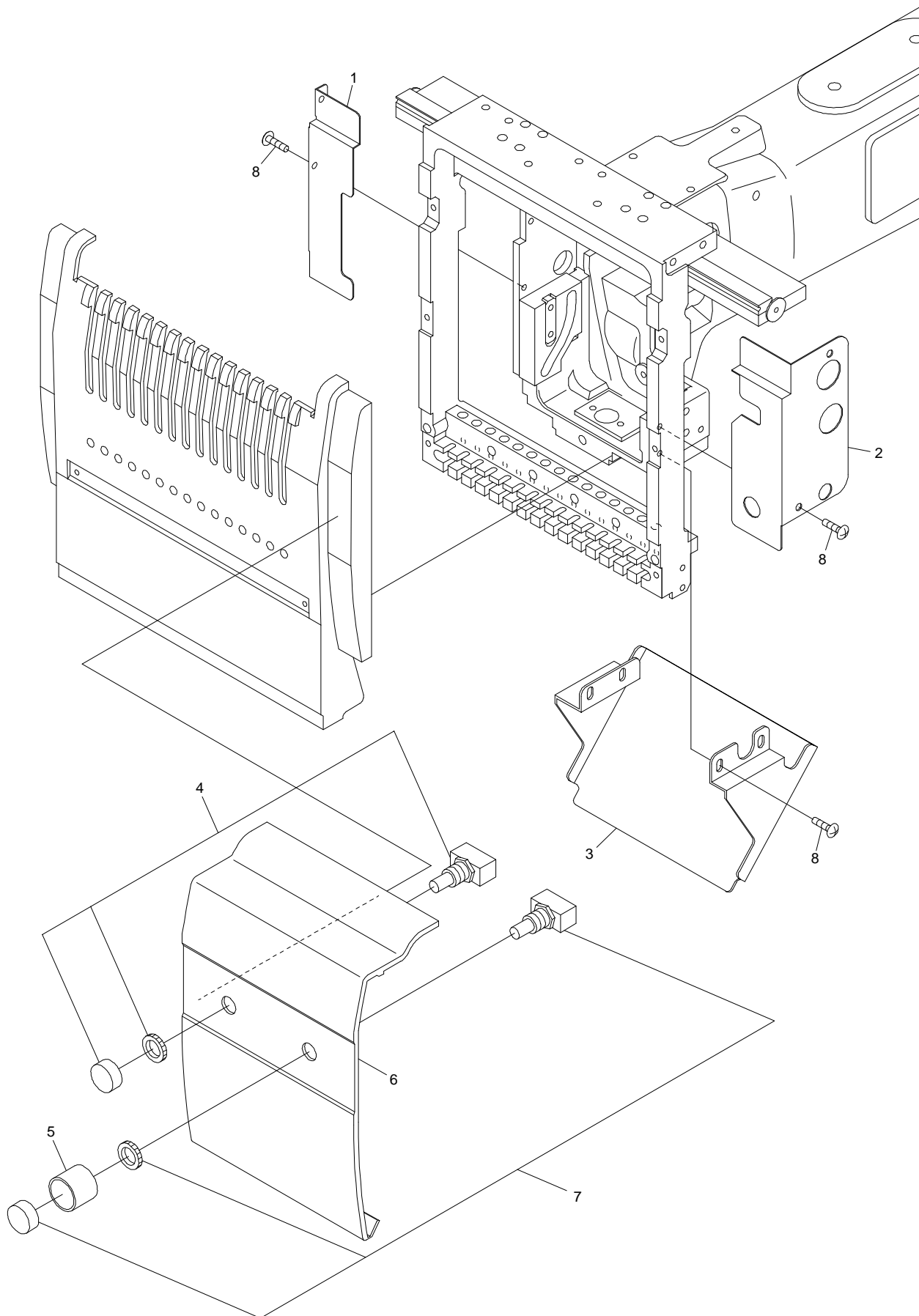
BENSME-ZN/ZQ BEDSME-ZN/ZQ-A BENYME-ZN/ZQ BENT-ZN/ZQ  
 BENRME-ZN/ZQ BENBME-ZN/ZQ



04B Needle bar B

ITEM	LIST NO.	DESCRIPTION	Q'TY	NOTE
1	LA230100	Presser foot cam plate	Hx1	
2	LA230150	Presser foot cam	Hx1	
3	HT230380	Cam tap plate	Hx1	
4	LA230290	Oil core(23mm)	Hx1	
5	LA230110	Link pin(Upper)	Hx1	
6	LA230040	Link(Upper)	Hx1	
7	HT230730	Shim ring(10 t=0.3)	Hx2	
8	KF230530	Roller(For take up lever)	Hx1	
9	LA230130	Link roller joint pin	Hx1	
10	HT230760	Oil core(8mm)	Hx1	
11	A9011115	Needle bearing(K9x12x10T2)	Hx1	
12	LA230060	Crank rod	Hx1	
13	KB230070	90°crank counter clockwise screw	Hx1	
14	LA230030	Driver slide a'ssy	Hx1	
15	A9019036	Hex.socket bolt M4x10(With mech)	Hx2	
16	LA230020	Driver slide pin	Hx1	
17	LA230010	Driver slide	Hx1	
18	LB230070	Needle bar driver fixing base	Hx1	
19	HT230520	Needle bar driver stopper	Hx1	
20	A9012368	Spacer(Roll bush)	Hx1	
21	HT230560	Needle bar driver return spring	Hx1	
22	A9012367	Shim ring(15 t=0.15)	Hx1	
23	HT230531	Needle bar driver	Hx1	
24	HT230280	Needle bar driver pin	Hx1	
25	LA230200	Felt plate	Hx1	
26	LA230210	Felt(Oil cleaner)	Hx1	
27	LA230160	Guide box	Hx1	
28	HT230770	Oil core(20mm)	Hx1	
29	LA230120	Link pin(Lower)	Hx1	
30	LA230050	Link(Lower)	Hx1	
31	HT230340	Presser foot support rubber	Hx1	
32	HT230370	Presser foot support	Hx1	
33	LA230070	Presser foot slide	Hx1	
34	HP231370	Square ball	Hx1	
35	LA230090	Square ball pin	Hx1	
36		Hex.socket bolt M4x12		
37		Hex.socket bolt M4x20		
38		E-ring(3 dia.)		
39		Hex.socket set screw M4x6(With nylon)		
40		Hex.socket button bolt M3x6		
41		Hex.socket set screw M4x4(With nylon)		
42		Hex.socket bolt M2.5x6		
43		Hex.socket bolt M4x8		
44		Hex.socket bolt M4x16		

04C Needle bar C

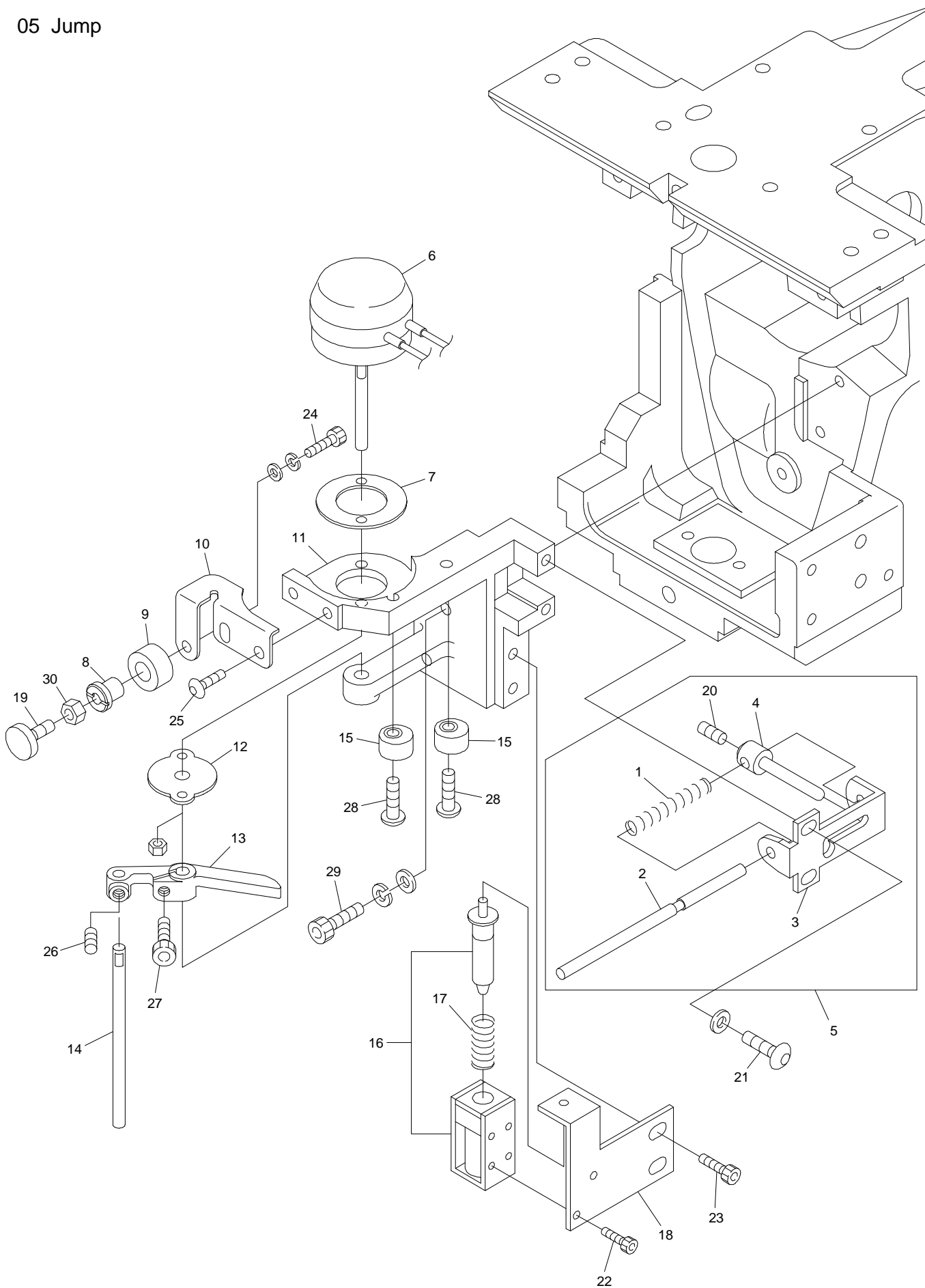


From the library of: Diamond Needle Corp

BENSME-ZN/ZQ BEDSME-ZN/ZQ-A BENYME-ZN/ZQ BENT-ZN/ZQ  
BENRME-ZN/ZQ BENBME-ZN/ZQ

04C Needle bar C

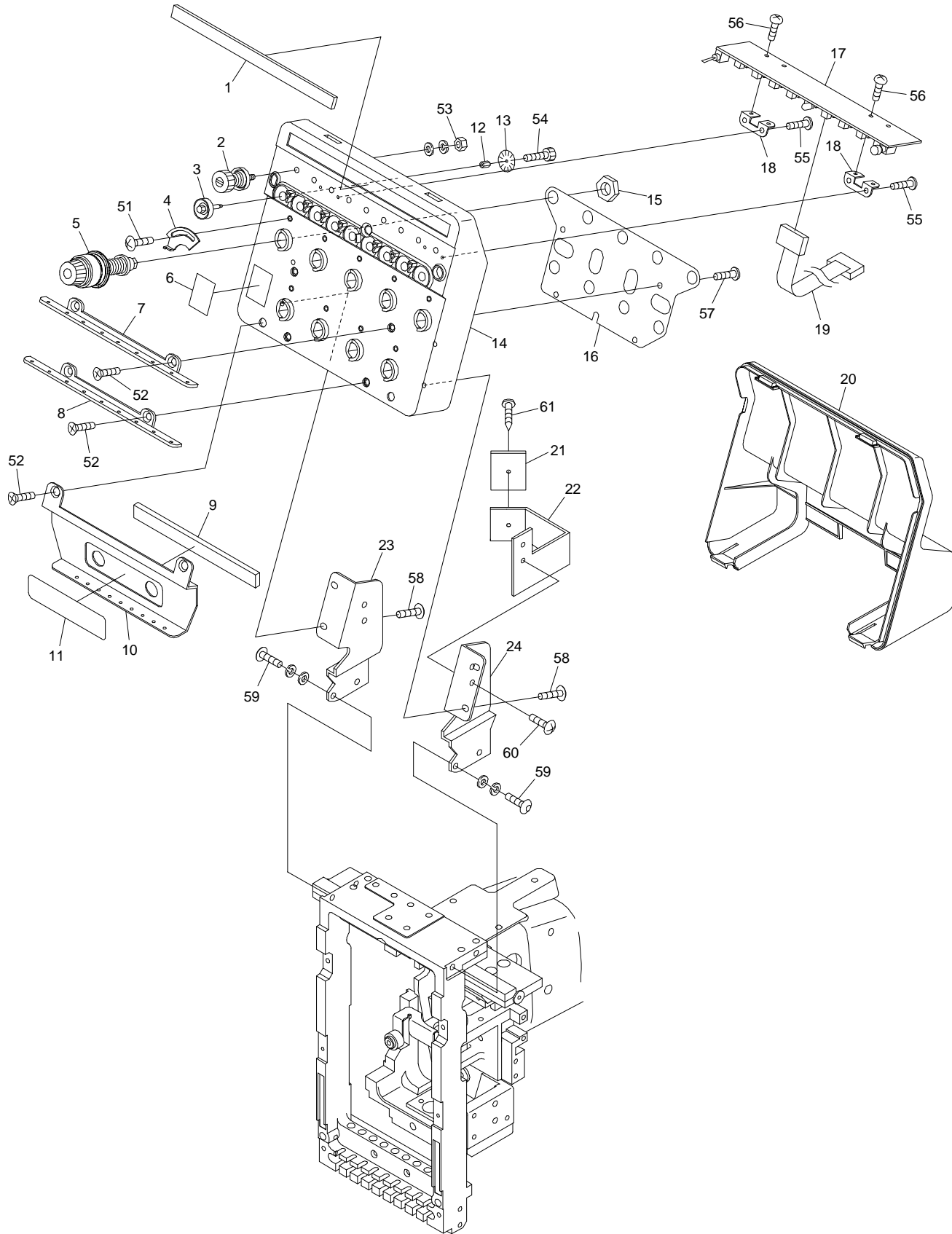
ITEM	LIST NO.	DESCRIPTION	Q'TY	NOTE
1	LA250020	Side cover(L)	Hx1	
2	LA250010	Side cover(R)	Hx1	
3	LA270110	Cap cover	Hx1	
4	A9052081	Push button switch(SB-221 N/O,AT-412R)		
5	KX510140	Switch cover		
6	SF250110	Cover between heads(ZQ-A,P=380) With hole		
	SF250100	Cover between heads(ZQ-A,P=380) W/o hole		
	SF250070	Cover between heads(ZN-A,P=380) With hole		
	SF250060	Cover between heads(ZN-A,P=380) W/o hole		
7	A9052080	Push button switch(SB-221 N/O,AT-412M)		
8		Truss screw M4x6		



ITEM	LIST NO.	DESCRIPTION	Q'TY	NOTE
1	HB240110	Cancel return spring	Hx1	
2	KX240051	Cancel rod	Hx1	
3	KB240040	Cancel bracket	Hx1	
4	HT240580	Manual cancel pin	Hx1	
5	LA240100	Manual cancel a'ssy	Hx1	
6	A9056036	Rotary solenoid 3ER35-35x3x8x9 M990386R(ETL)	Hx1	
7	HB230560	Sheet for rotary solenoid	Hx1	
8	HT230620	Needle bar stopper fixing pin	Hx1	
9	HT230220	Needle bar stopper	Hx1	
10	KX230100	Needle bar stopper fixing bracket	Hx1	
11	LA240020	Jump solenoid fixing bracket	Hx1	
12	HB230580	Solenoid noise prevention cover	Hx1	
13	HB240020	Jump solenoid lever	Hx1	
14	HB240030	Jump solenoid lever pin	Hx1	
15	HB240041	Jump eccentric	Hx1	
16	HB560210	Keep solenoid TDS-K07A(ETL)	Hx1	Except for NT
17	HB560060	Keep solenoid spring	Hx1	Except for NT
18	LA240011	Keep solenoid fixing plate	Hx1	Except for NT
19	LA230350	Needle bar indication bolt	Hx1	
20		Hex.socket set screw(Flat point) M4x4		
21		Hex.socket button bolt M4x10		
22		Hex.socket bolt M2.6x5		Except for NT
23		Hex.socket bolt M4x10		Except for NT
24		Hex.socket bolt M4x8(With washers)		
25		Hex.socket button bolt M4x5		
26		Hex.socket set screw M4x4(With adhesion)		
27		Hex.socket bolt M4x8		
28		Hex.socket button bolt M4x12		
29		Hex.socket bolt M4x12		
30		Hex.nut M4		

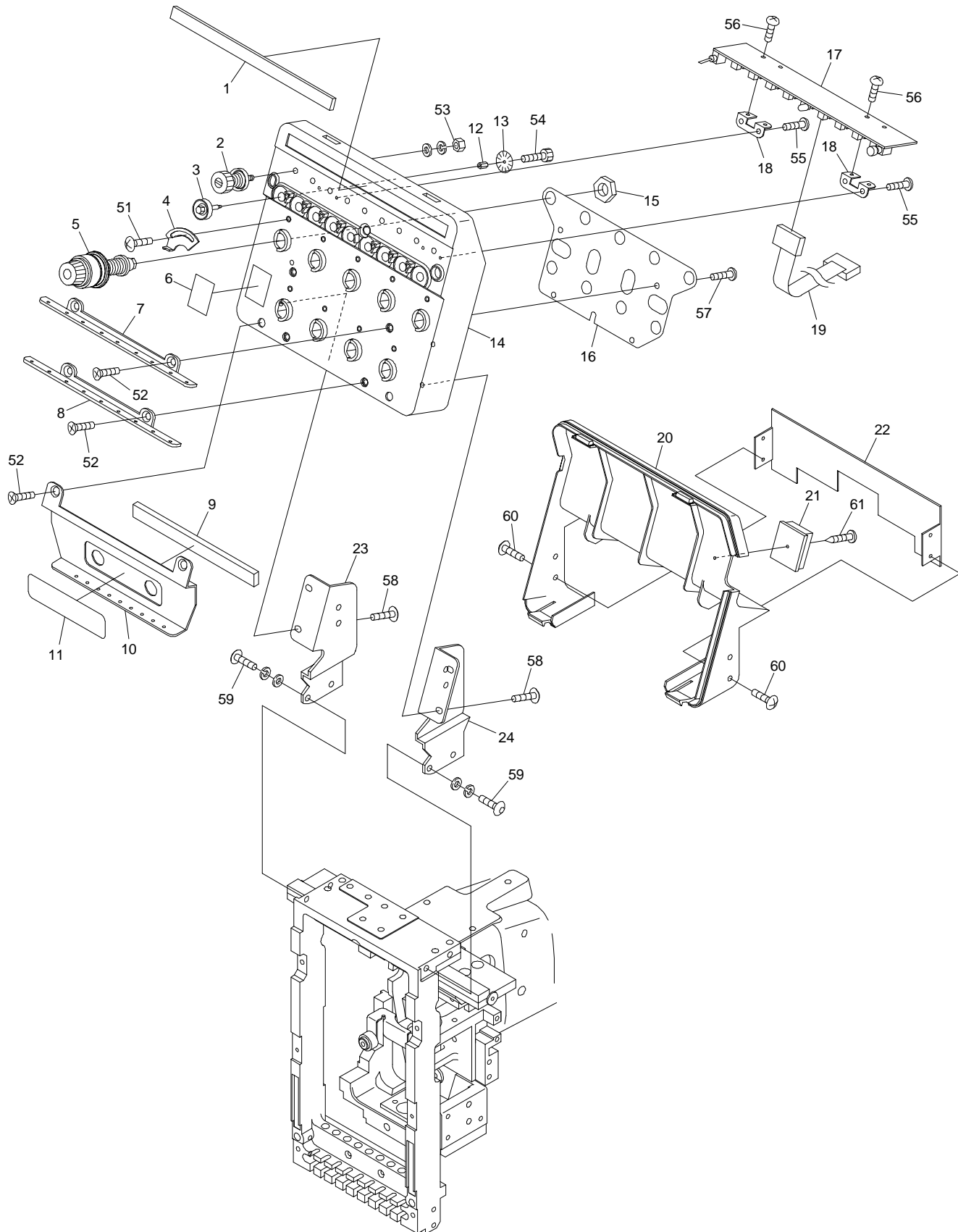
From the library of: Diamond Needle Corp

06A-1-1 Thread guide A (Standard)(ZN)(General head)



ITEM	LIST NO.	DESCRIPTION	Q'TY	NOTE
1	RR240280	Felt(DSH-YN)	H-1	
2	RR240300	Tension a'ssy(DS)	Hx9-9	
3	HT240290	Tension wheel a'ssy	Hx9-9	
4	RR240510	Thread spring adjusting plate	Hx9-9	
5	RD240153	Dial tension a'ssy	Hx9-9	
6	RR240390	Number label	H-1	
7	RR240310	Thread guide plate upper(DSH-YN)	H-1	
8	RR240320	Thread guide plate lower(DSH-YN)	H-1	
9	LA240050	Sponge rubber(ZN-A)	H-1	
10	SF240041	Second thread guide plate lower(DS-ZN)	H-1	
11	SF240090	Magnet seal(DS-ZN)	H-1	
12	KN540510	Tension wheel nut	Hx9-9	
13	HT240101	Lower thread detection sensor disk(YN)	Hx9-9	
14	RR240230	Tension base case a'ssy(DSH-YN)	H-1	
15	HT240180	SM-nut	Hx9-9	
16	RR240340	Tension earth plate(DSH-YN)	H-1	
17	EBY02580	8590-switch board with thread detection	H-1	
18	RR240330	Switch board fixed base	Hx2-2	
19	EBY01624	H2426A 16 needle flat cable(DSH)	H-1	
20	RR240250	Tension base cover(DSH-YN)	H-1	
21	A9068032	FCW clamp(FCW-26)	H-1	
22	KX240060	Cord holder	H-1	
23	SF240030	Tension base bracket-L(DS-ZN)	H-1	
24	SF240020	Tension base bracket-R(DS-ZN)	H-1	
51		Truss screw M3x5		
52		Flush screw M4x8		
53		Hex.nut SM11/64(With washers)		
54		Hex.socket bolt M2x3		
55		Pan head tapping screw B tight f3x8		
56		Pan screw M3x4		
57		Pan screw M4x6		
58		Truss screw M4x10		
59		Hex.socket button bolt M5x12(With washers)		
60		Truss screw M4x6		
61		Pan screw for flange M3x8		

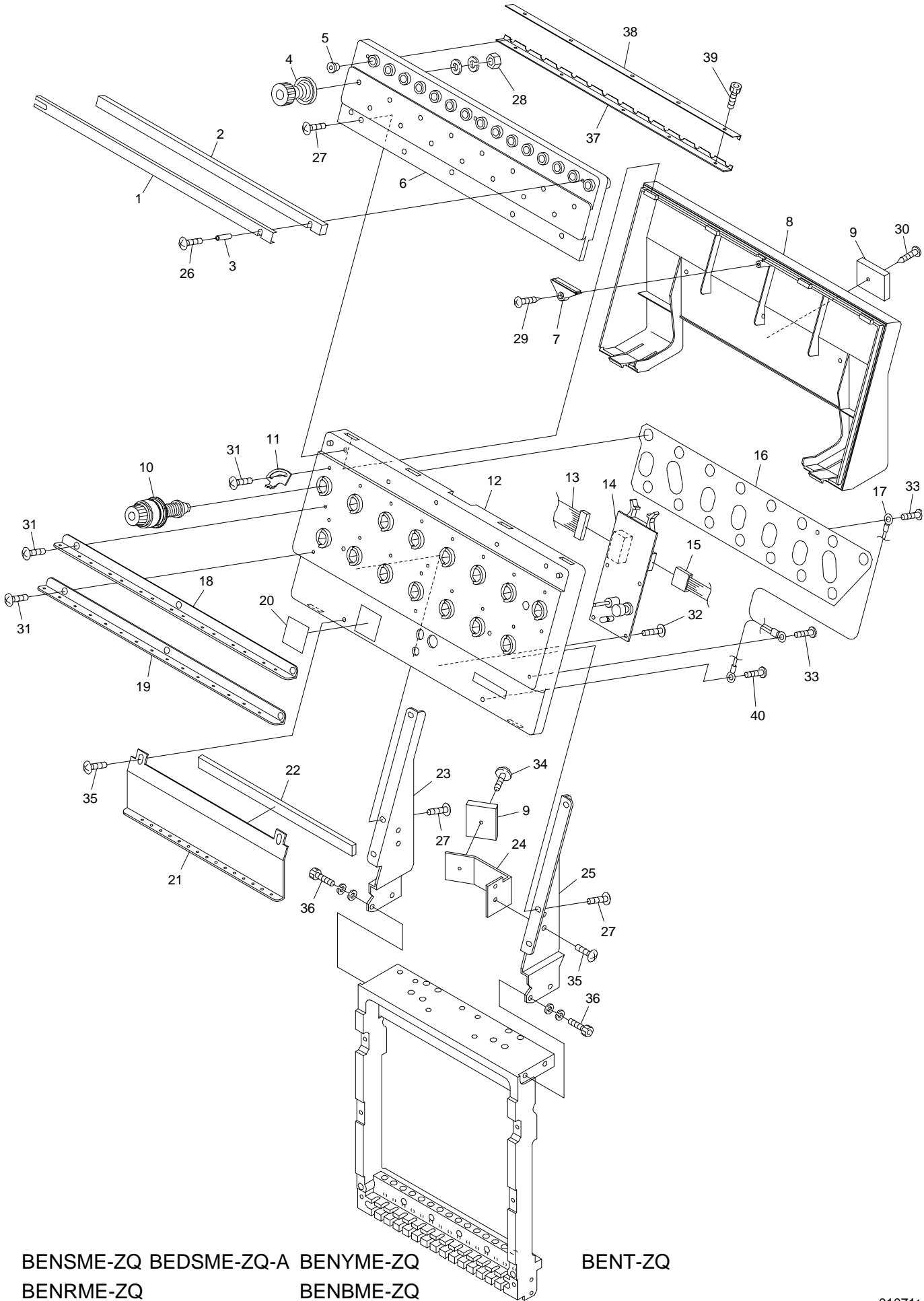
06A-1-2 Thread guide A (Standard)(ZN)(Head with color change mechanism)







06A-2 Thread guide A (Standard)(ZQ)



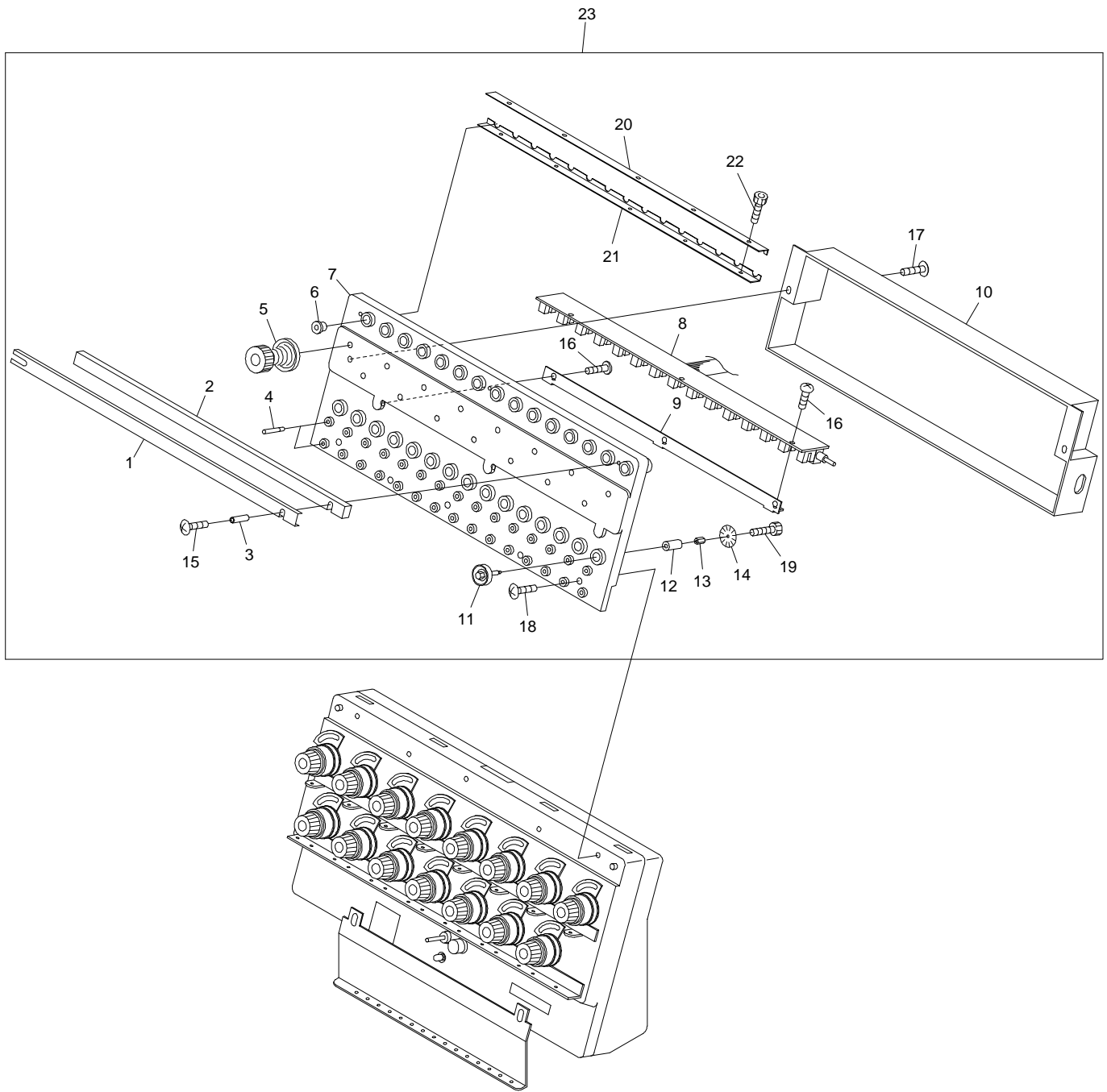
From the library of: Diamond Needle Corp

BENSME-ZQ BEDSME-ZQ-A BENYME-ZQ BENT-ZQ  
 BENRME-ZQ BENBME-ZQ

06A-2 Thread guide A (Standard)(ZQ)

ITEM	LIST NO.	DESCRIPTION	Q'TY	NOTE
1	RD240291	Felt shaft	Hx1	
2	RD240301	Felt	Hx1	
3	A9012412	Spacer(f3x17L)	Hx2	
4	RD240321	Thread tension a'ssy(ZQ)	Hx15	
5	HT240480	Thread collar(For thread stand,white)	Hx15	
6	RD240280	Thread tension base	Hx1	
7	HT240240	Blind cap	Hx1	
8	RD240030	Tension cover(For 15 needle)	Hx1	
9	A9068032	FCW clamp(FCW-26)	Hx1 Hx2	NT Except for NT
10	RD240153	Dial thread tension unit complete(BEMAX)	Hx15	
11	RD240111	Thread spring adjusting plate	Hx15	
12	RD240022	Tension base case a'ssy	Hx1	
13	EBY01690	H1899 pin pin cable	Hx1	
14	EBY01641	4640 head switch board(With BEMAX cable)	Hx1	
15	EBY01700	H1900 additional pin pin cable	Hx1	
16	RD240121	Tension earth plate	Hx1	
17	A9053077	Tension base earth cable ZQ	Hx1	
18	RD240330	First thread guide plate(ZQ-A)	Hx1	
19	RD240340	Second thread guide plate(ZQ-A)	Hx1	
20		Number label	Hx1	Except for NT
21	LA240030	Second thread guide	Hx1	
22	LA240040	Sponge rubber	Hx1	
23	MG240010	Tension base(L)	Hx1	
24	RD240090	Cord holder	Hx1	Except for NT
25	MG240000	Tension base(R)	Hx1	
26		Truss screw M3x25		
27		Truss screw M4x10		
28		Hex.nut SM11/64		
29		Tapping screw f3x12		
30		Tapping pan screw f3x25		
31		Truss screw M3x5		
32		Truss screw M3x6		
33		Pan screw M3x6		
34		Pan screw for flange M3x8		Except for NT
35		Truss screw M4x6		
36		Hex.socket bolt M5x10(With washers)		
37	RD240440	Tube holder(Lower)	Hx1	
38	RD240430	Tube holder(Upper)	Hx1	
39		Hex.socket bolt M3x15		
40		Pan screw M4x6		

06B Thread guide B (Lower thread sensorium)(ZQ)

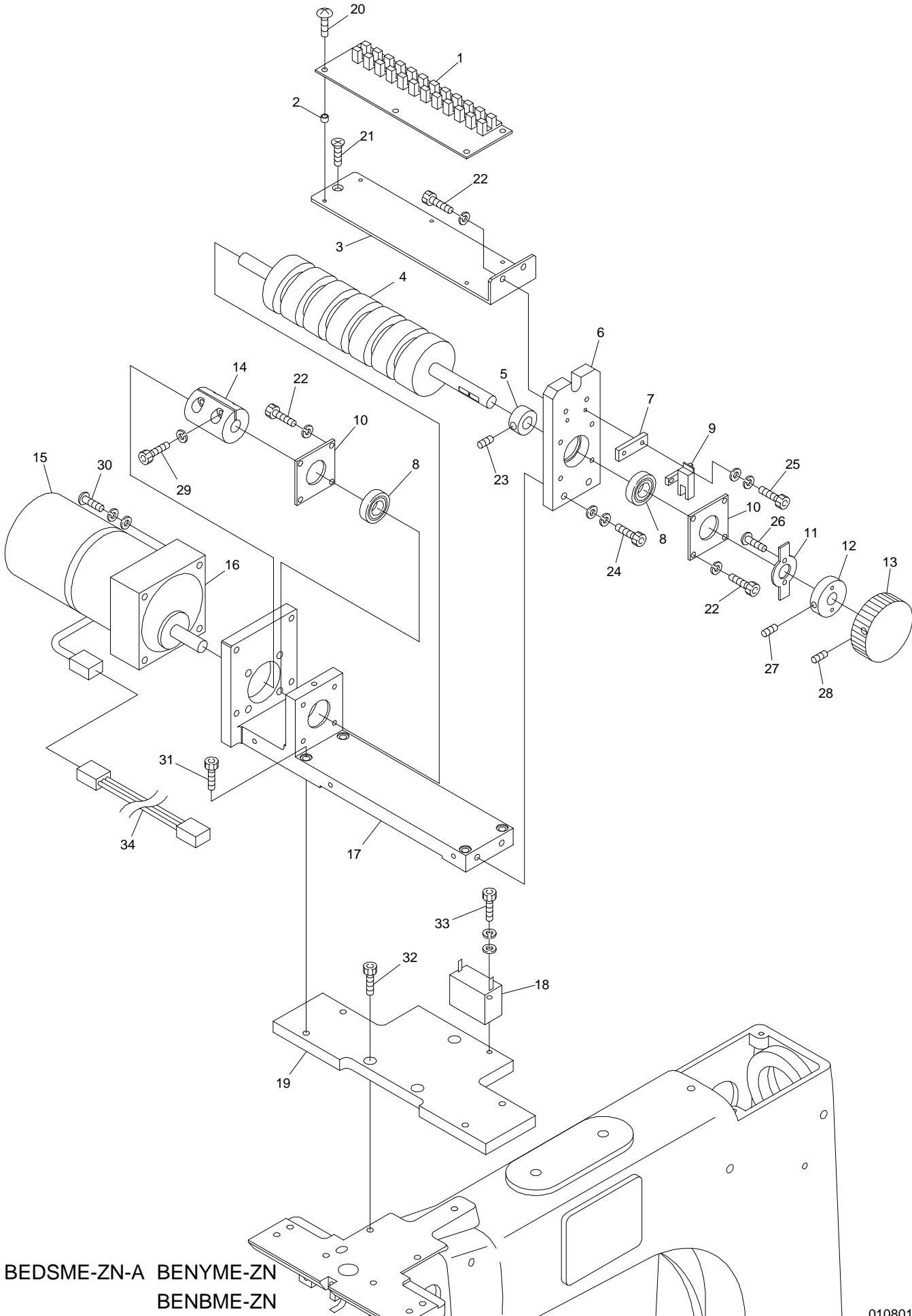


From the library of: Diamond Needle Corp

BENSME-ZQ BEDSME-ZQ-A BENYME-ZQ BENT-ZQ  
BENRME-ZQ BENBME-ZQ



07A-1 Color change A(ZN)



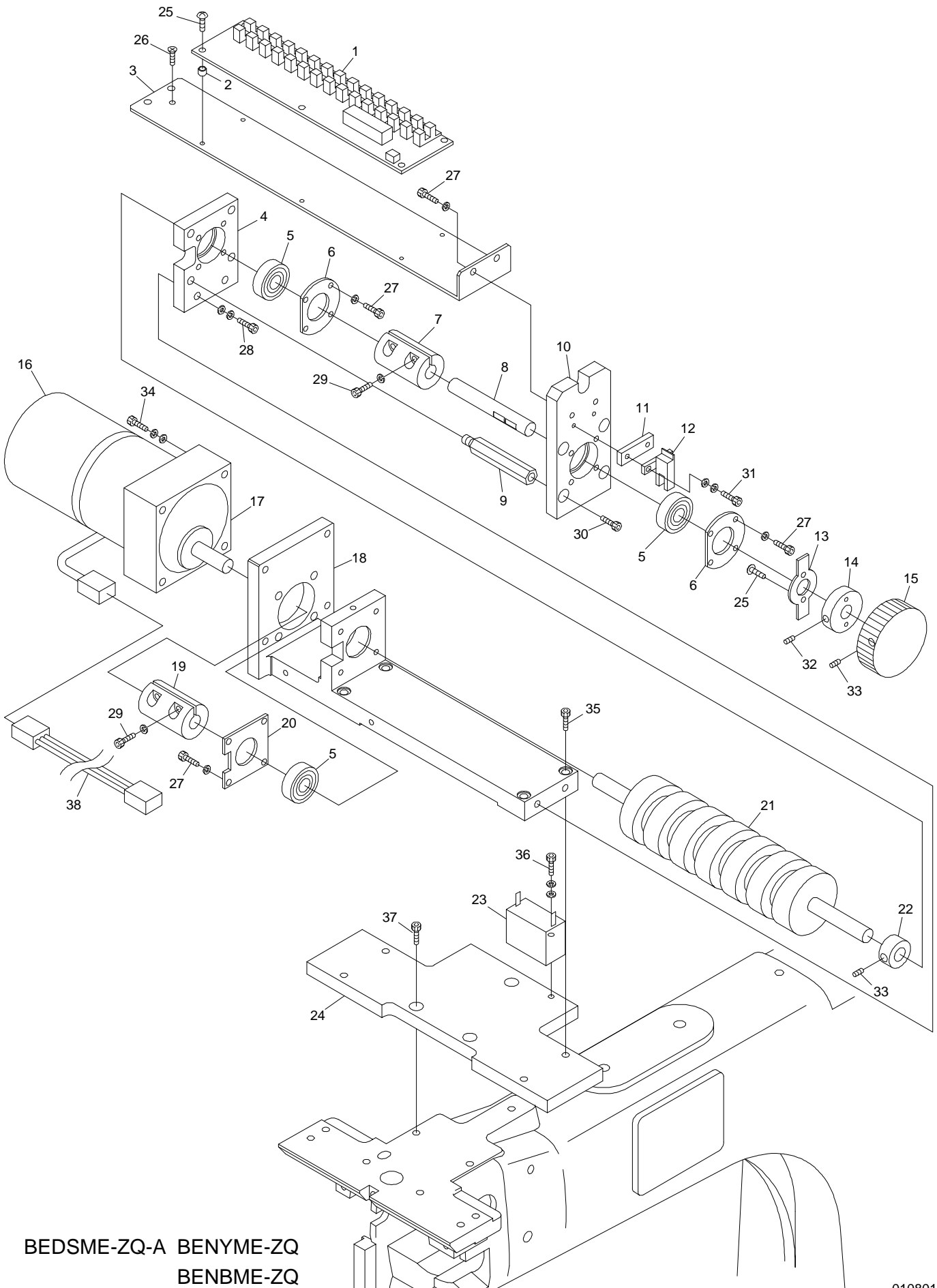
From the library of: Diamond Needle Corp

BEDSME-ZN-A BENYME-ZN  
BENBME-ZN

## 07A-1 Color change A (ZN)

ITEM	LIST NO.	DESCRIPTION	Q'TY	NOTE
1	EBY01623	3370 Needle positioner board (ZN)	1	
2	A9012208	Spacer(Roll bush) 5x4L	5	
3	KX330300	Color change board base plate	1	
4	KX330060	Color change cam	1	
5	KX330120	Bearing hold collar	1	
6	LA330170	Color change side plate(ZN-A)	1	
7	KX330250	Sensor spacer	1	
8	A9010062	Bearing 6000ZZ	2	
9	A9060063	Photo micro sensor EE-SX672A(OMRON)	1	
10	KX330110	Bearing hold	2	
11	KX330271	Rotation sensor dock	1	
12	KC330170	Detection plate collar	1	
13	KX330130	Manual knob	1	
14	RD330020	Motor coupling	1	6T max.
	RD330030	Coupling	1	8T min.
15	A9065092	Reversible motor 3RJ10GB-AUL-E4	1	6T max.
	A9065078	Reversible motor 3RK15GN-AUL-E13	1	8T min.
16	A9065093	Gear head 3GB18K	1	6T max.
	A9065079	Gear head 3GN18K	1	8T min.
17	LA330151	Color change base(ZN-A)	1	
18	A9054022	Condenser CH45UL	1	6T max.
	A9054023	Condenser CH60UL	1	8T min.
19	LA330120	Color change base plate	1	
20		Truss screw M3x10		
21		Flush screw M4x6		
22		Hex.socket bolt M4x10(With spring washer)		
23		Hex.socket set screw M6x5		
24		Hex.socket bolt M5x25(With washers)		
25		Hex.socket bolt M3x16(With washers)		
26		Truss screw M4x8		
27		Hex.socket set screw M5x10		
28		Hex.socket set screw M6x6		
29		Hex.socket bolt M4x15(With spring washer)		
30		Pan screw M4x60(With spring washer)		
31		Hex.socket bolt M5x25		
32		Hex.socket bolt M5x18		
33		Hex.socket bolt M4x10(With washers)		
34	LA510030	Between cable with color change motor	1	

07A-2 Color change A(ZQ)

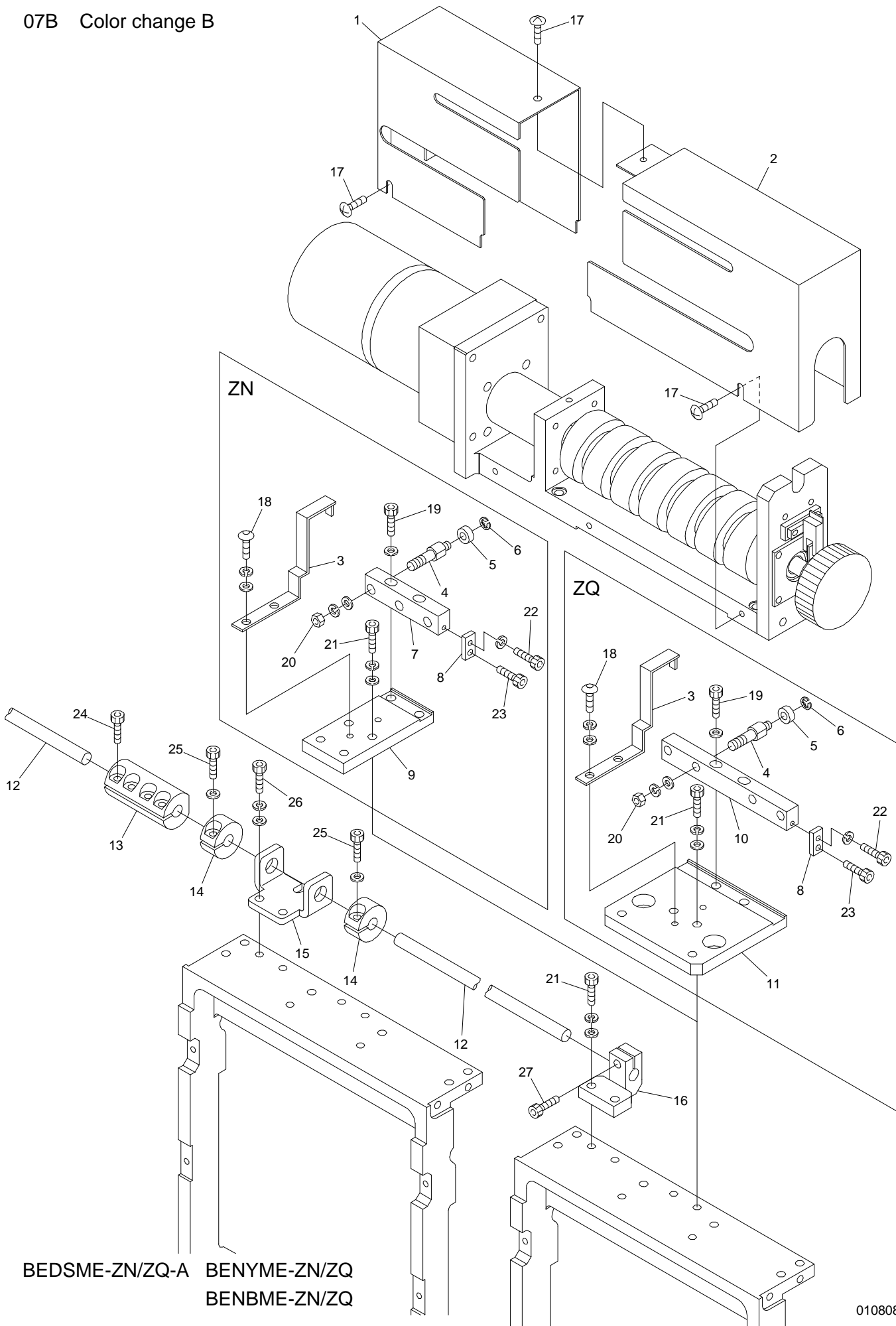




## 07A-2 Color change A (ZQ)

ITEM	LIST NO.	DESCRIPTION	Q'TY	NOTE
1	EBY01650	Color change board	1	
2	A9012208	Spacer(Roll bush) f5x4L	5	
3	RD330081	Color change board base plate	1	
4	LA330060	Color change side plate(ZQ-A)	1	
5	A9010063	Bearing 6000ZZ	3	
6	RD330070	Bearing hold plate(2)	1	
7	RD330030	Coupling	1	
8	RD330040	Connecting shaft	1	
9	RD330050	Stud bolt	4	
10	LA330040	Color change top plate(ZQ-A)	1	
11	KX330250	Sensor spacer	1	
12	A9060063	Photo micro sensor EE-SX672A(OMRON)	1	
13	KX330271	Rotation sensor dock	1	
14	KC330170	Detection plate collar	1	
15	KX330130	Manual knob	1	
16	A9065092	Reversible motor 3RJ10GB-AUL-E4	1	6T max.
	A9065078	Reversible motor 3RK15GN-AUL-E13	1	8T min.
17	A9065093	Gear head 3GB18K	1	6T max.
	A9065079	Gear head 3GN18K	1	8T min.
18	LA330091	Color change base(ZQ-A)	1	
19	RD330020	Motor coupling	1	6T max.
	RD330030	Coupling	1	8T min.
20	RD330060	Bearing hold plate(1)	1	
21	RD330150	Color change cam	1	
22	KX330120	Bearing hold collar	1	
23	A9054022	Condenser CH45UL	1	6T max.
	A9054023	Condenser CH60UL	1	8T min.
24	LA330120	Color change base plate	1	
25		Truss screw M3x8		
26		Flush screw M4x6		
27		Hex.socket bolt M4x10(With spring washer)		
28		Hex.socket bolt M5x25(With washers)		
29		Hex.socket bolt M4x15(With spring washer)		
30		Hex.socket bolt M5x15		
31		Hex.socket bolt M3x16(With washers)		
32		Hex.socket set screw M5x10		
33		Hex.socket set screw M6x6		
34		Hex.socket bolt M4x60(With washers)		
35		Hex.socket bolt M5x25		
36		Hex.socket bolt M4x10(With washers)		
37		Hex.socket bolt M5x18		
38	LA510030	Between cable with color change motor	1	

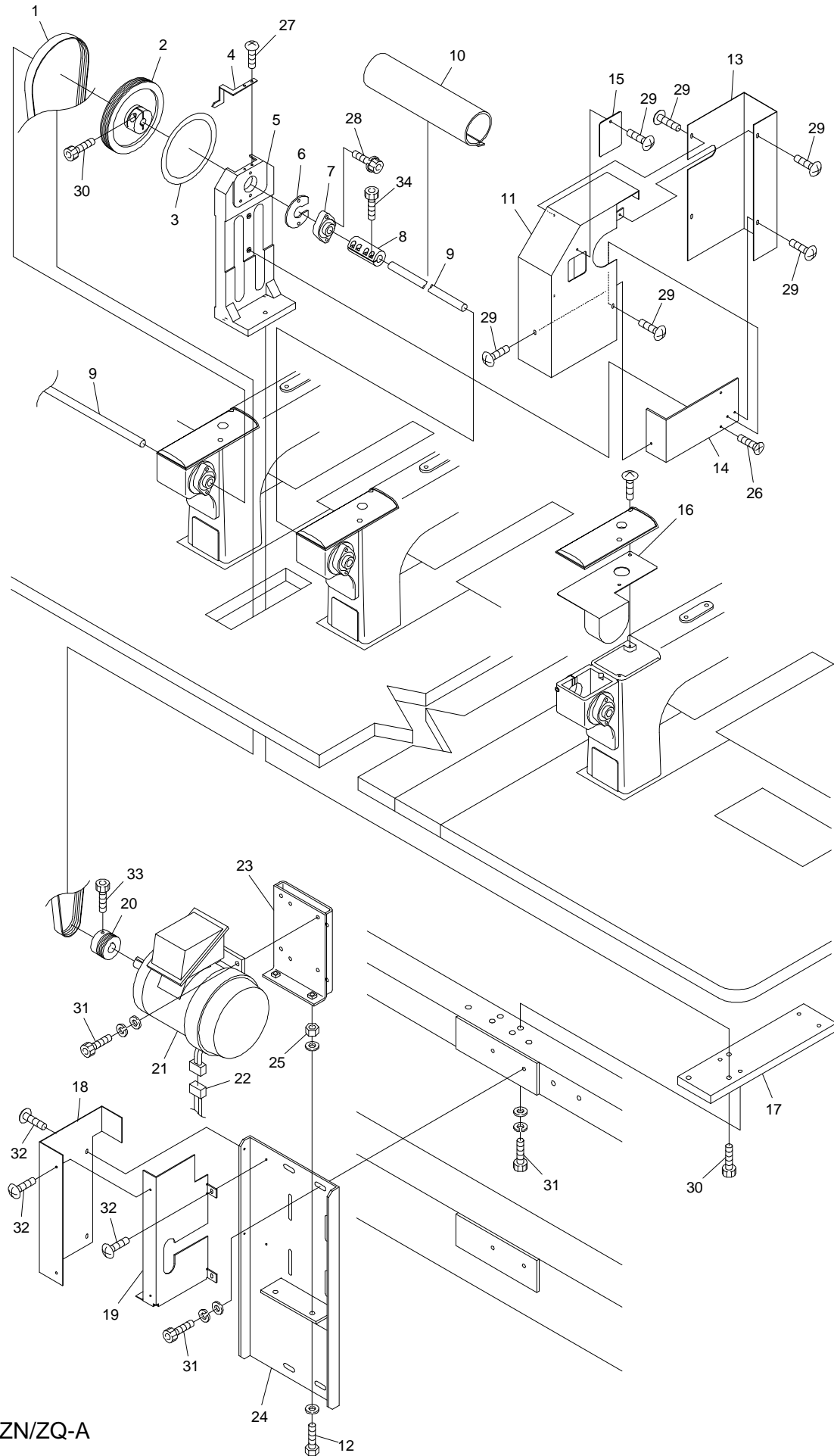
07B Color change B



07B Color change B

ITEM	LIST NO.	DESCRIPTION	Q'TY	NOTE
1	LA330071	Color change cover(L)	1	
2	LA330141	Color change cover(R)(ZN-A)	1	ZN
	LA330081	Color change cover(R)(ZQ-A)	1	ZQ
3	LA330050	Sensor dock	1	
4	LA330110	Connecting collar shaft	2	ZN
			4	ZQ
5	A9010063	Bearing MR105ZZ(NSK)	2	ZN
			4	ZQ
6	A9012127	E-ring 3 dia.	2	ZN
			4	ZQ
7	KX330170	Connecting block	1	ZN only
8	KX330240	Tension bracket	1	
9	LA330180	Connecting base plate(ZN-A)	1	ZN only
10	LA330200	Connecting block	1	ZQ only
11	LA330190	Connecting base plate(ZQ-A)	1	ZQ only
12	KX330020	Connecting rod	3	
13	LA330160	Rod joint	3	
14	RD230111	Positioning collar	Hx2-2	Except for first head
15	KX230230	Joint bracket	H-1	Except for first head
16	KX230170	Joint block (Head with color change mechanism)	1	First head only
17		Truss screw M4x6		
18		Hex.socket button bolt M4x8 (With washers)		
19		Hex.socket bolt M6x25(With plain washer)		
20		Hex.nut M6(With washers)		
21		Hex.socket bolt M5x18(With washers)		
22		Hex.socket bolt M3x8(With washers)		
23		Hex.socket bolt M4x25		
24		Hex.socket bolt M4x14(With washers)		Except for first head
25		Hex.socket bolt M4x16(With plain washer)		Except for first head
26		Hex.socket bolt M5x14(With washers)		Except for first head
27		Hex.socket bolt M5x14		First head only

# 08 Drive



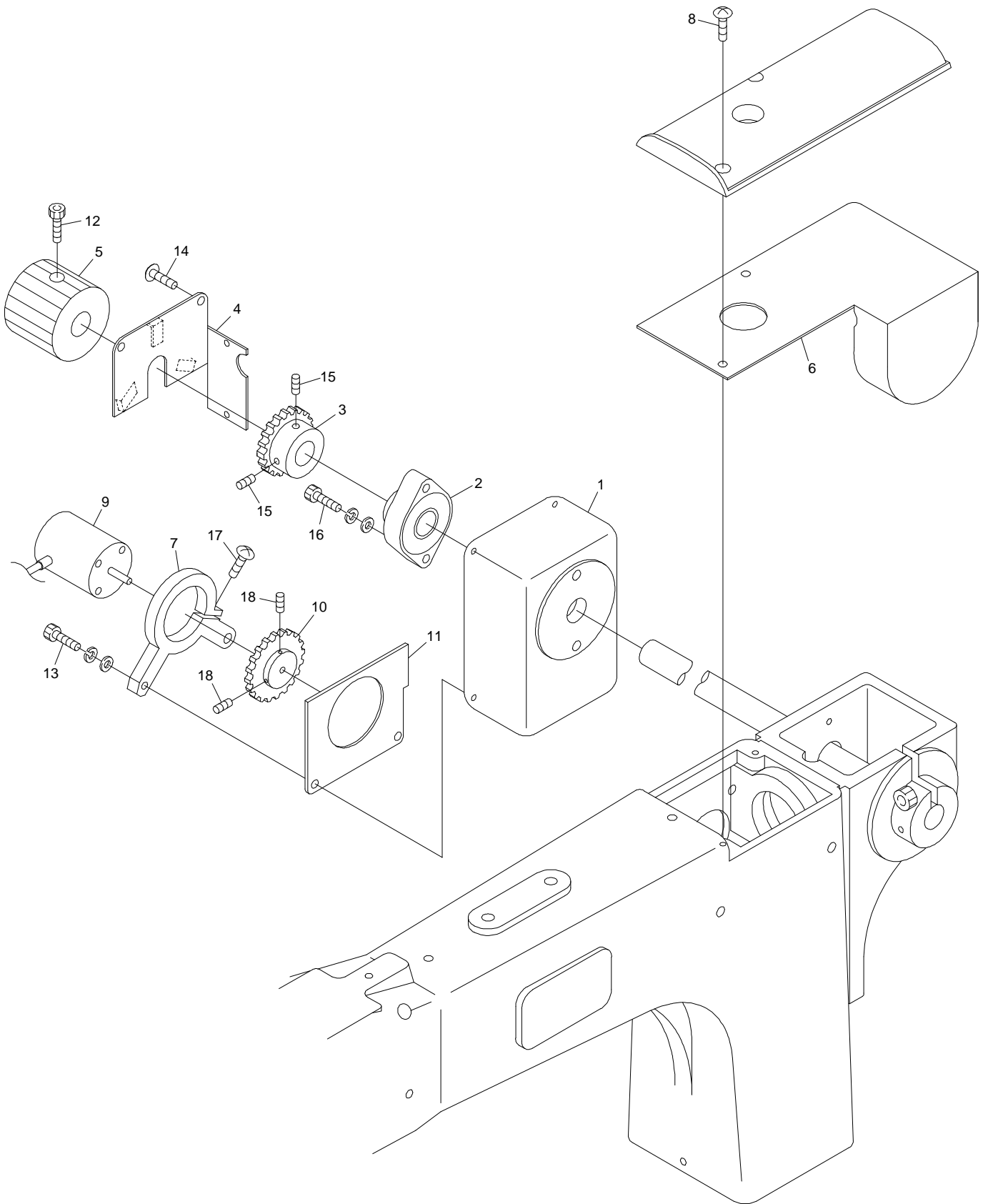
From the library of: Diamond Needle Corp

BEDSME-ZN/ZQ-A

010807

ITEM	LIST NO.	DESCRIPTION	Q'TY	NOTE
1	A9020186	Ribstar belt(4PK-1270)	1	
2	LB310092	Drive pulley(For center drive)	1	
3	HP313691	Rotary angle label B	1	
4	LA310151	Angle gauge	1	
5	SF310010	Upper support bracket	1	
6	SF310030	Shaft cover fixing base	1	
7	HP321140	Upper shaft connecting shaft unit	1	
8	HP321100	Lower shaft connecting Coupling	1	
9	HB320070	Connecting shaft f15x3300		Cut product
10	1PSF123800	Shaft cover set(BEDSME-A12)	1set	
11	SF310060	Belt cover(Rear)	1	
12		Hex.bolt M8x55		
13	SF310050	Belt cover(Front)	1	
14	SF310040	Belt cover bracket	1	
15	SF310070	Angle gauge service cover	1	
16	SF310130	Shaft end cover	1	
17	SF310020	Shaft support bracket base	1	
18	SF310090	Motor pulley cover	1	
19	SF310100	Motor pulley cover bracket	1	
20	KN310010	Motor pulley	1	
21	HB310280	Motor FBK8-4P0.75KW VF3(With cable)	1	
22	A9053070	NS-motor cable(7.5M)	1	
23	SF310110	Motor fixing base	1	
24	SF310080	Motor base	1	
25		Hex.nut M8		
26		Flush screw M4x6		
27		Pan screw M4x8		
28		Hex.socket bolt M6x30(With spring washer)		
29		Truss screw M4x8		
30		Hex.socket bolt M8x25		
31		Hex.socket bolt M8x20(With washers)		
32		Truss screw M4x6		
33		Hex.socket bolt M6x12		
34		Hex.socket bolt M5x18		

# 09 Connecting shaft



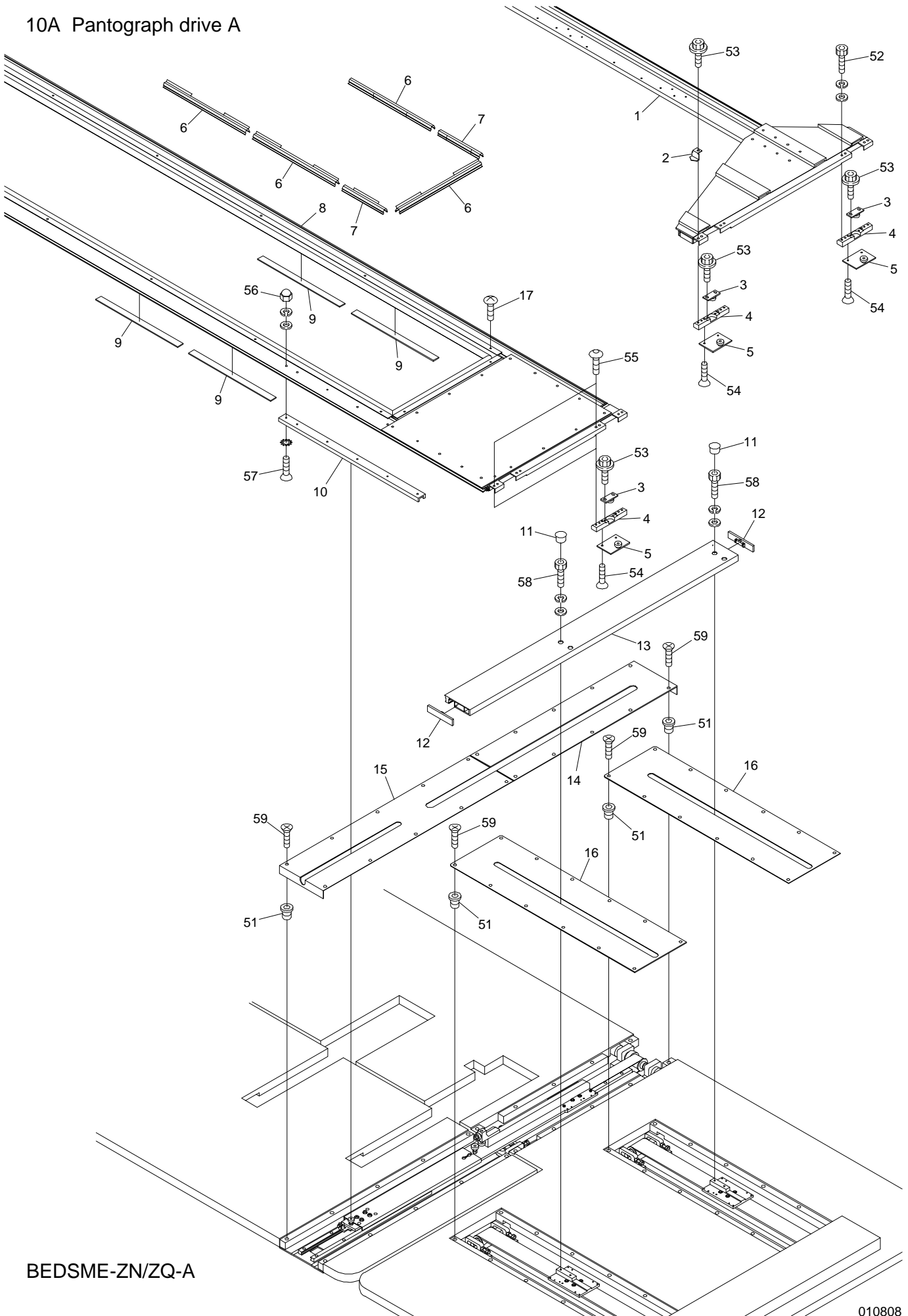
From the library of: Diamond Needle Corp

BENS-YN/YS    BENS-YN/YS-L    BENY-YN/YS    BEDSME-ZN/ZQ-A    BENYME-ZN/ZQ  
 BENR-YN/YS    BENR-YN/YS-L    BENB-YN/YS                         BENBME-ZN/ZQ

09 Connecting shaft

ITEM	LIST NO.	DESCRIPTION	Q'TY	NOTE
1	SF310140	Encoder box	1	
2	HP321140	Upper shaft connecting bearing unit(SBFLN02)	1	
3	KR310130	Encoder drive gear No.1	1	
4	SF310150	Encoder box cover A	1	
5	KC320590	Hand pulley	1	
6	SF310120	Shaft side cover	1	
7	KC312890	Encoder holder	1	
8		Truss screw M4x10		
9	KN511020	Position coder TS5307N54	1	
10	KR310100	Encoder drive gear No.2	1	
11	SF310160	Encoder box cover B	1	
12		Hex.socket bolt M6x12		
13		Hex.socket bolt M6x20		
14		Truss screw M4x6		
15		Hex.socket set screw M5x10		
16		Hex.socket bolt M6x40		
17		Truss screw M4x15		
18		Hex.socket set screw M4x10		

10A Pantograph drive A



BEDSME-ZN/ZQ-A

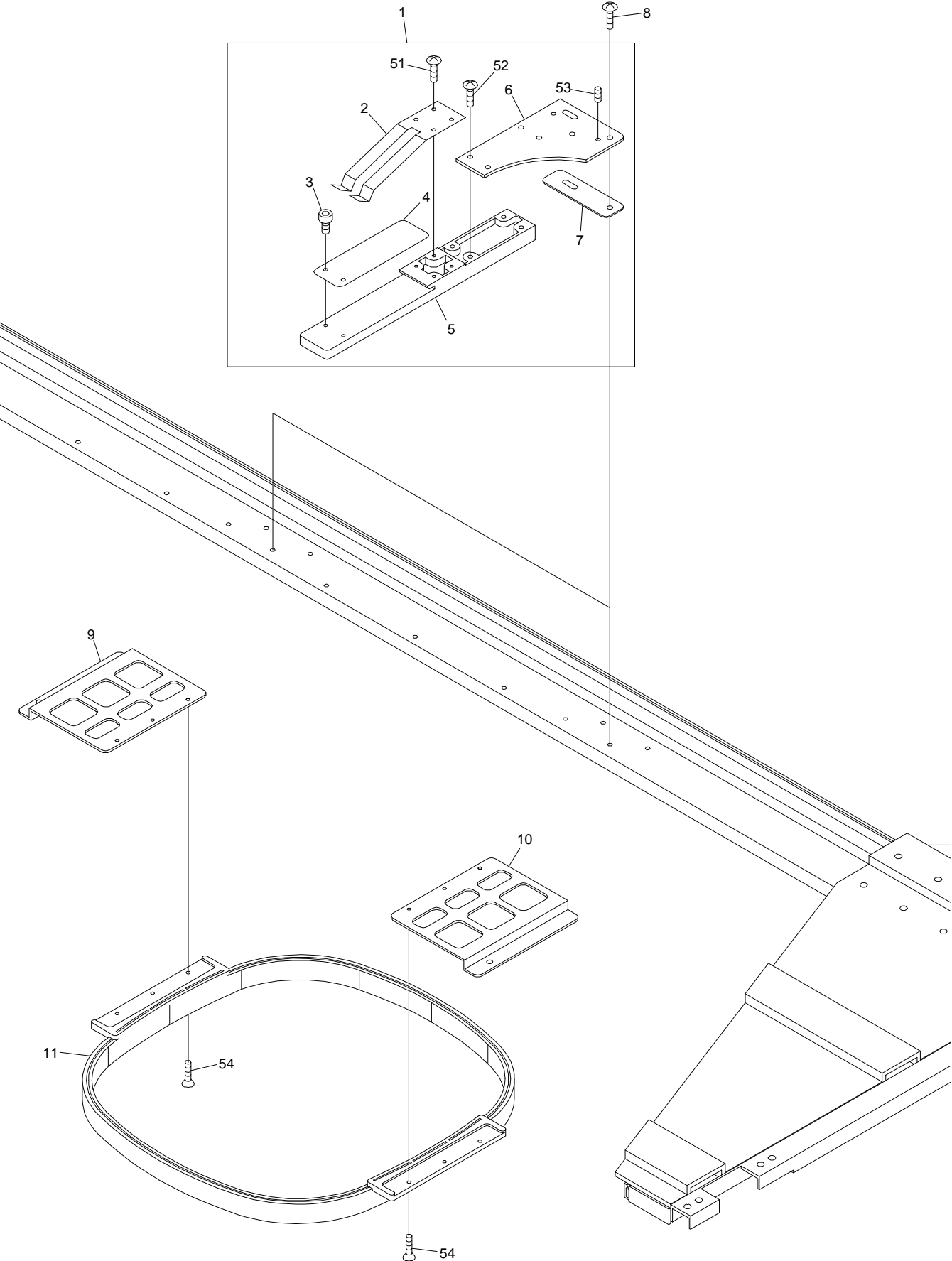
010808

From the library of: Diamond Needle Corp



ITEM	LIST NO.	DESCRIPTION	Q'TY	NOTE
1	1FSF123804801	T-pantograph frame a'ssy(BEDSME-A12)	1	T12
	1FSF153804801	T-pantograph frame a'ssy(BEDSME-A15)	1	T15
2	SF730030	Indication plate	1	
3	RR730010	V-guide bearing base a'ssy(Upper)	2	
4	RR730050	V-guide bearing hold base	2	
5	RR730020	V-guide bearing base a'ssy(Lower)	2	
6	KF730750	Clip(300L)		
7	KF730760	Clip(150L)		
8	1WSF123804800	Pantograph frame a'ssy(BEDSME-A12)	1	T12
	1WSF153804800	Pantograph frame a'ssy(BEDSME-A15)	1	T15
9	RR730040	Cork plate(CE earth,300x20x2.7T)	Rx2+4	
10	KN480420510	Guide rail A(510L)	4	
11	A9014160	Locking holl plug LHP-0500	4	
12	RR730030	V-sub pantograph frame cap	2	
13	SF730010	V-sub pantograph frame(BEDSME-A)	1	
14	SF480081	H-guide cover(Rear)	Rx1	
15	SF480070	H-guide cover(Front)	Rx1	
16	SF480120	V-guide cover(Stroke 480)	1	
17	KF730500	Truss screw SM11/64x10.5	26	
51		Rag nut(C) M4		
52		Hex.socket bolt M5x12		
53		Hex.socket flange bolt M5x12		
54		Hex.socket flush screw M5x12		
55		Hex.socket button bolt M5x12		
56		Cap nut M4		
57		Flush screw M4x12 (With toothed lock washer)		
58		Hex.socket bolt M5x18(With washers)		
59		Flush screw M4x12(Under cut)		

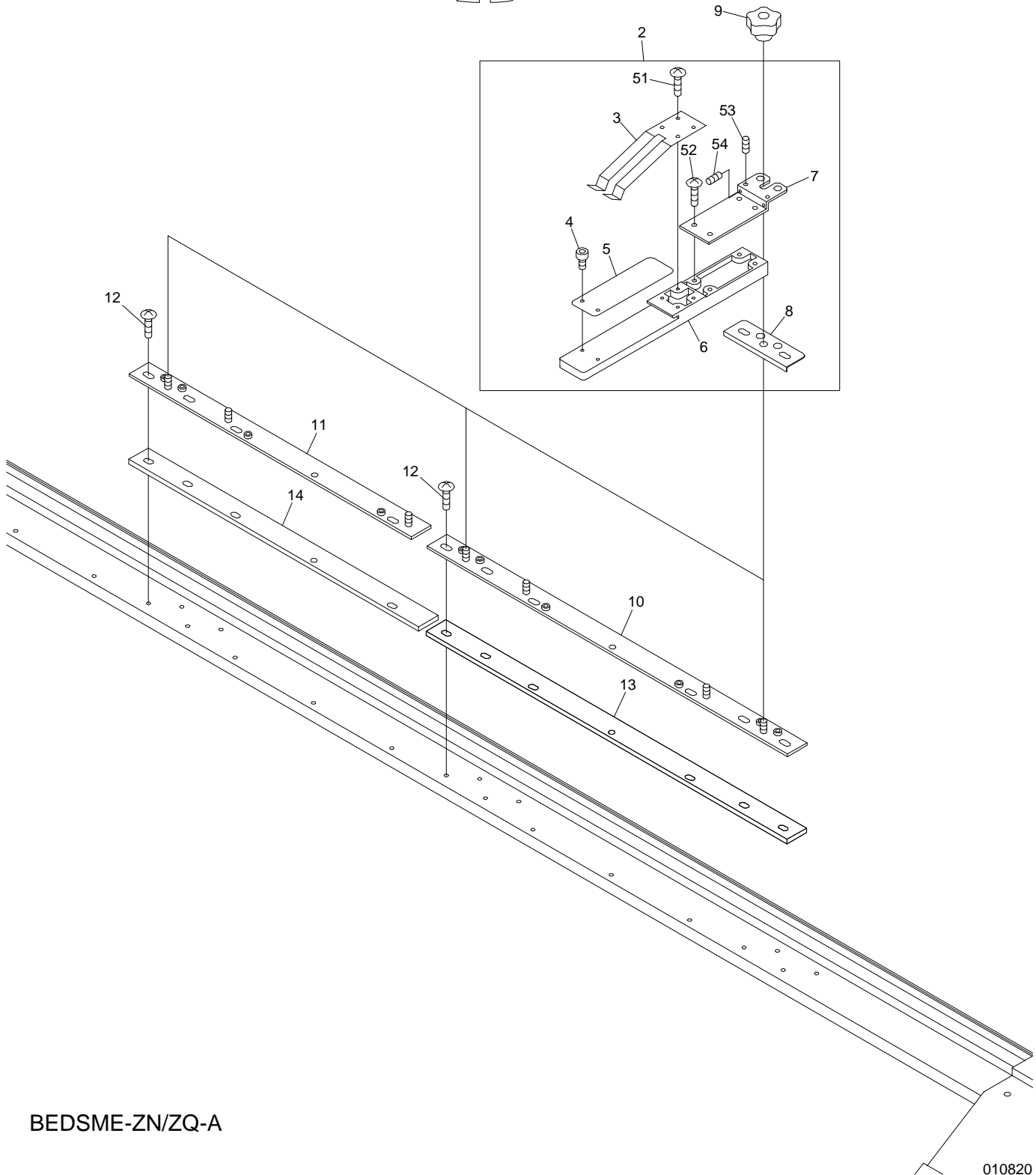
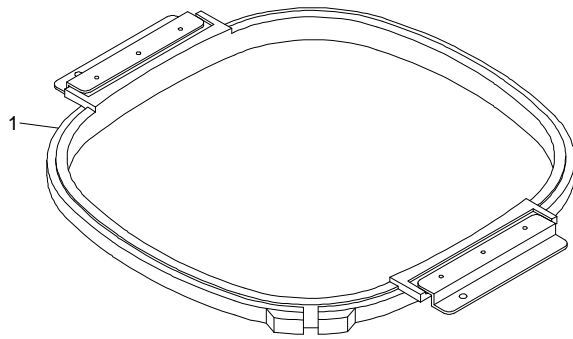
10B-1 Pantograph drive B



From the library of: Diamond Needle Corp



10B-2 Pantograph drive B (QS)

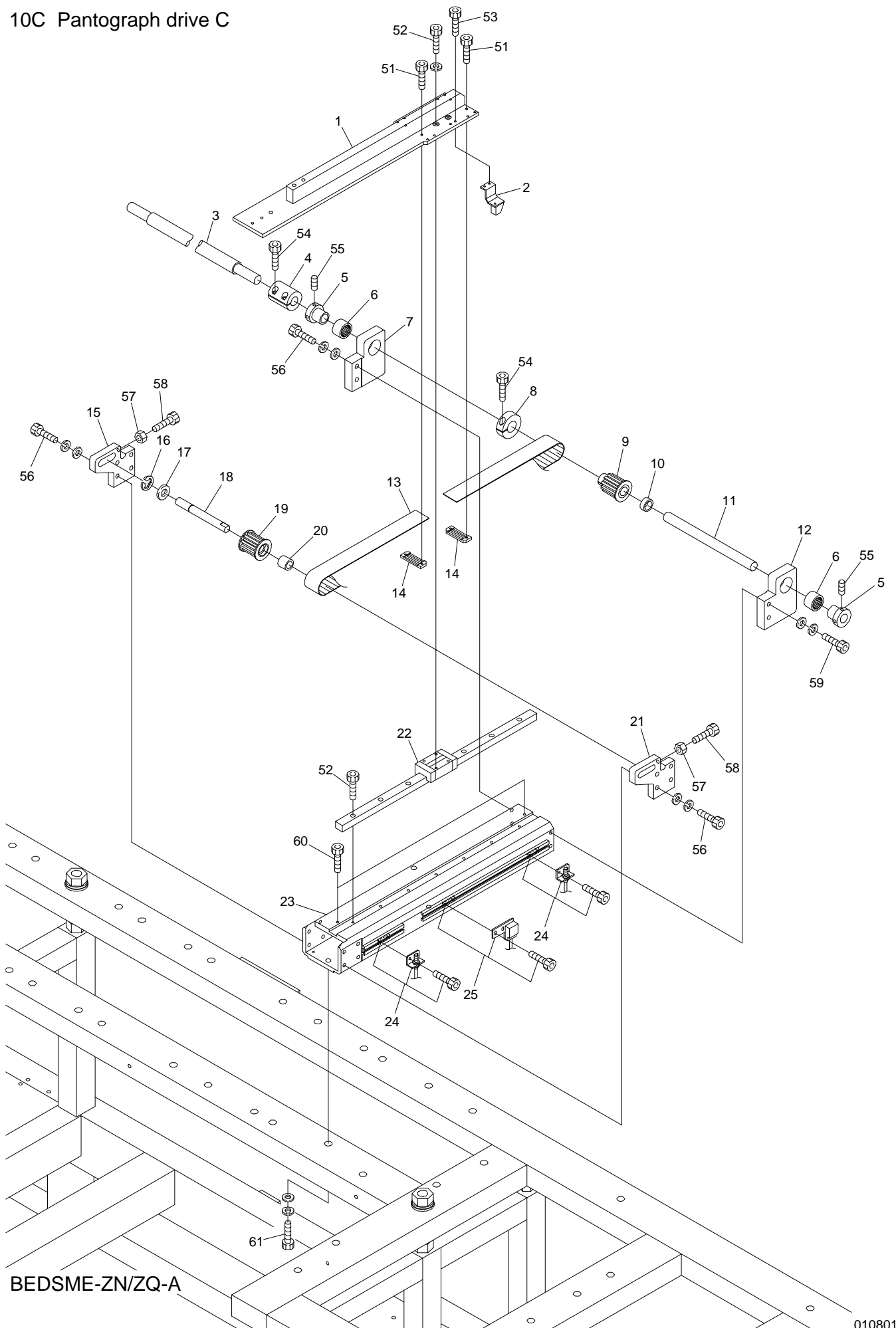


From the library of: Diamond Needle Corp

10B-2 Pantograph drive B (QS)

ITEM	LIST NO.	DESCRIPTION	Q'TY	NOTE
1	FR92460434A520A	Square pantograph a'ssy(460x434)	Hx1	Head spacing 520
	FR92300290A380A	Square pantograph a'ssy(300x290)	Hx1	Head spacing 380
2	SF730041	Product pantograph stay a'ssy	H+1	
3	LA730650	Product pantograph hold spring	H+1	
4	LA730610	Positioning pin	Hx2+2	
5	LA730630	Slide plate	H+1	
6	LA730600	Pantograph stay main body(ME)	H+1	
7	SF730051	Product pantograph stay bracket	H+1	
8	SF730061	Spacer	H+1	
9	A9012433	Star knob(Tap hole) STK30NT	H+1	
10	SC730141	Stay-Cap frame base(First head,P=380)	1	
11	SC730151	Stay-Cap frame base(From second head,P=380)	H-1	
12	KF730520	Truss screw(SM11/64x18)	Hx5+2	
13	SF730091	Base liner(First head,P=380)	1	
14	SF730101	Base Liner(From second head,P=380)	H-1	
51		Truss screw M3x10		
52		Truss screw M4x10		
53		Hex.socket set screw M4x6(With nylons)		
54		Hex.socket set screw M3x8(With nylons)		

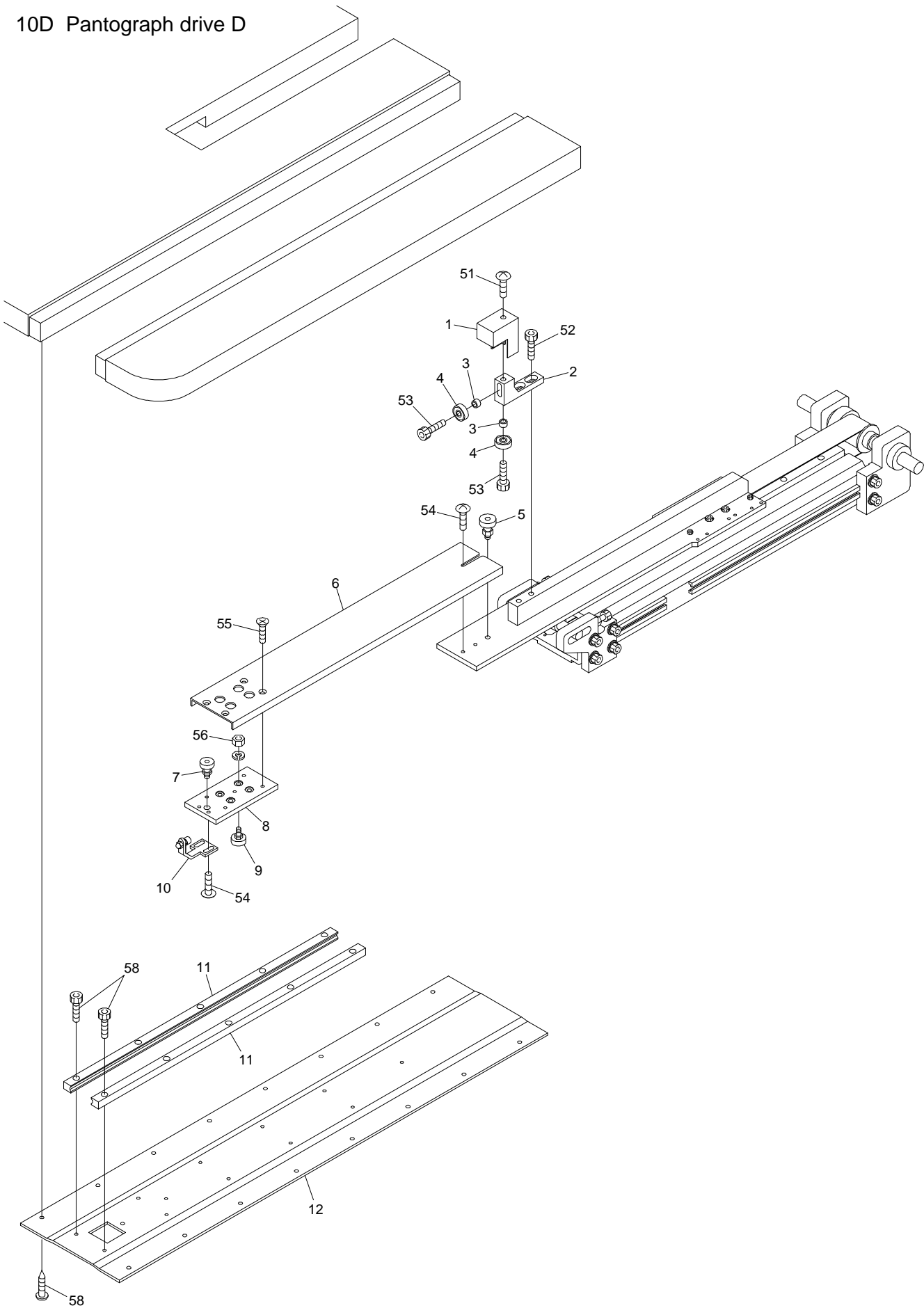
# 10C Pantograph drive C



From the library of: Diamond Needle Corp

ITEM	LIST NO.	DESCRIPTION	Q'TY	NOTE
1	SF480020	H-roller base	Rx1	
2	RJ450021	Magnet fixing bracket a'ssy	1	
3	SF470010	H-pantograph drive shaft(L=1330)	1	
4	HH481931	Pulse motor coupling	2	
5	HH481970	Pulse motor connecting shaft collar	Rx2	
6	A9011111	Needle bearing(TLA2012Z)	Rx2	
7	RF480090	Pantograph drive pulley fixing base(L)	Rx1	
8	HH481980	Clamping 19 dia.	Rx1	
9	HV480040	Pantograph driving pulley(Rear)	Rx1	
10	RF480120	Pantograph drive pulley position decision collar	Rx1	
11	RF480110	Pantograph drive pulley shaft	Rx1	
12	RF480080	Pantograph drive pulley fixing base(R)	Rx1	
13	RR480090	Free span belt(B300-S5M)	Rx1	Cut product
14	HP482940	Timing belt set rack(5M)	Rx2	
15	RJ480050	Timing pulley fixing bracket(L)	Rx1	
16	A9012052	E-ring(10 dia.)	Rx1	
17	A9010070	Thrust washer	Rx1	
18	RK480010	Timing pulley shaft	Rx1	
19	HV480050	Pantograph driving pulley(Front)	Rx1	
20	RK480001	Timing pulley position decision collar	Rx1	
21	RJ480040	Timing pulley fixing bracket(R)	Rx1	
22	SF480040	LM-guide(H-stroke 320)	Rx1	
23	SF480010	H-guide rail base(Stroke 320)	Rx1	
24	RJ450010	RS-001 bracket a'ssy	2	
25	RJ450001	Origin point sensor bracket a'ssy	1	
51		Hex.socket bolt M3x15		
52		Hex.socket bolt M4x12(With spring washer)		
53		Hex.socket bolt M3x8		
54		Hex.socket bolt M5x18		
55		Hex.socket set screw M5x8		
56		Hex.socket bolt M6x22(With washers)		
57		Hex.nut M6		
58		Hex.socket bolt M6x45		
59		Hex.socket bolt M6x25(With washers)		
60		Hex.socket bolt M4x8		
61		Hex.socket bolt M8x25(With washers)		

# 10D Pantograph drive D



From the library of: Diamond Needle Corp

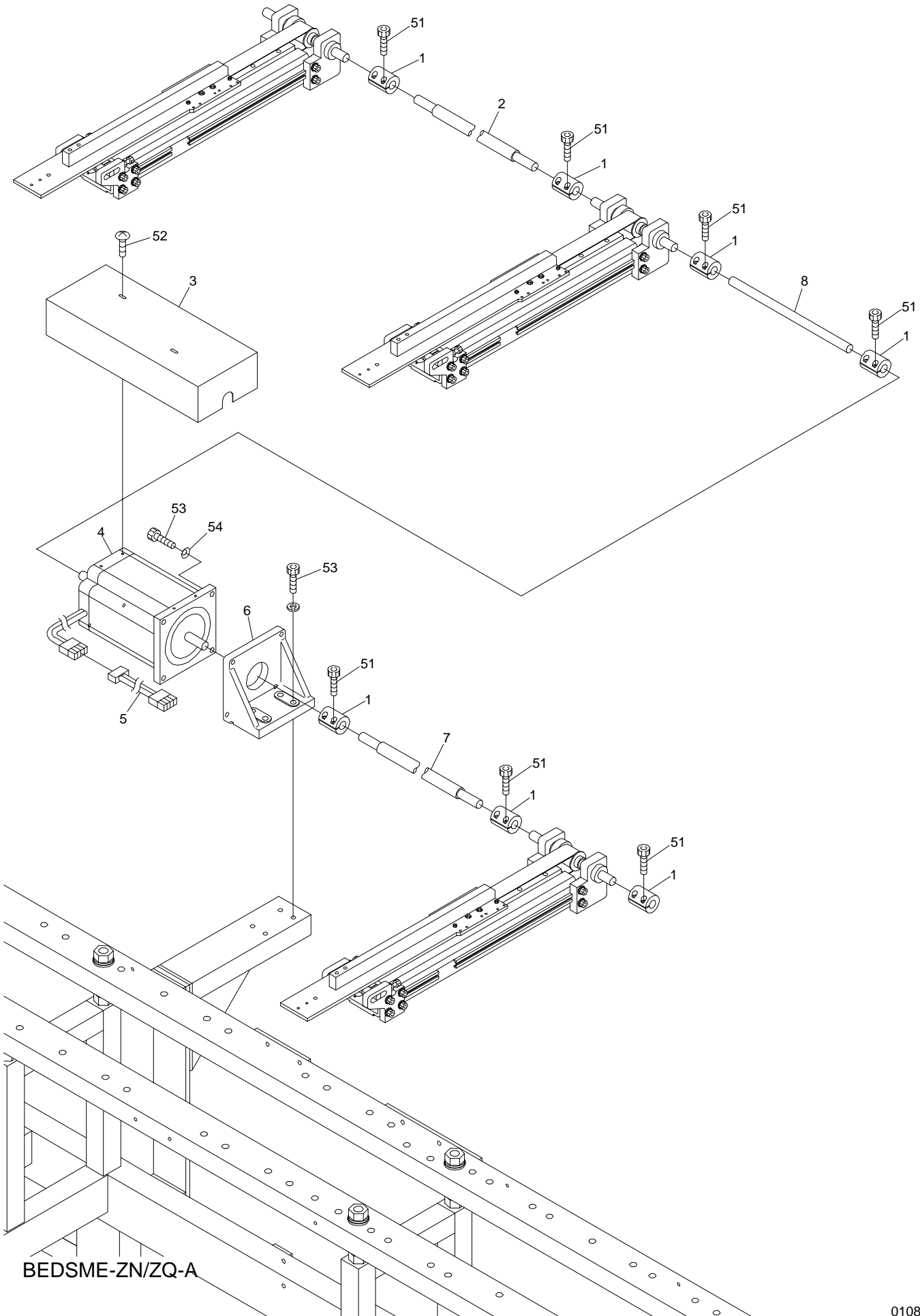
BEDSME-ZN/ZQ-A

010810



ITEM	LIST NO.	DESCRIPTION	Q'TY	NOTE
1	SF460040	H-bearing cover	Rx1	
2	SF460020	Guide bearing fixed base	Rx1	
3	SF460030	Guide bearing fixed collar	Rx2	
4	A9010059	Bearing 626ZZ	Rx2	
5	SF480050	Guide bearing pin a'ssy(Multi)	Rx1	
6	SF480060	H-member connecting channel	Rx1	
7	RF480420	Guide bearing pin a'ssy	Rx1	
8	SF480030	H-roller base(Front)	Rx1	
9	HS480400	Roller pin F a'ssy	Rx4	
10	SF460010	H-pantograph stopper(Front) a'ssy	Rx1	
11	KK480140	V-guide rail H-side(L=430)	Rx2	
12	SF480090	H-guide rail base	Rx1	
51		Truss screw M6x6		
52		Hex.socket bolt M6x15		
53		Hex.socket bolt M6x30		
54		Truss screw M4x8		
55		Flush screw M4x10		
56		Hex.nut ? M5		
57		Hex.socket bolt M4x10		
58		Pierce screw f5x23		

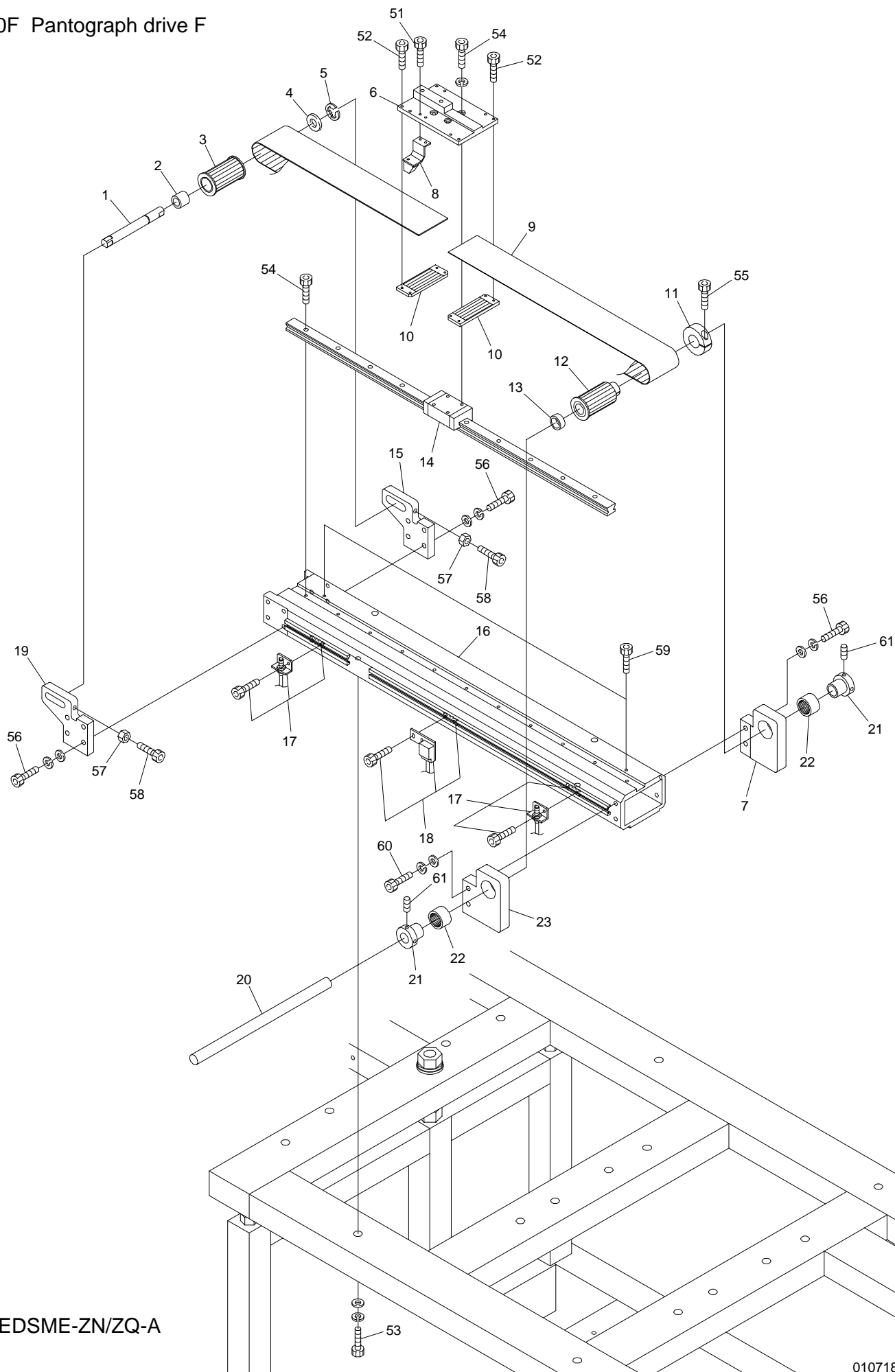
# 10E Pantograph drive E



From the library of: Diamond Needle Corp



# 10F Pantograph drive F

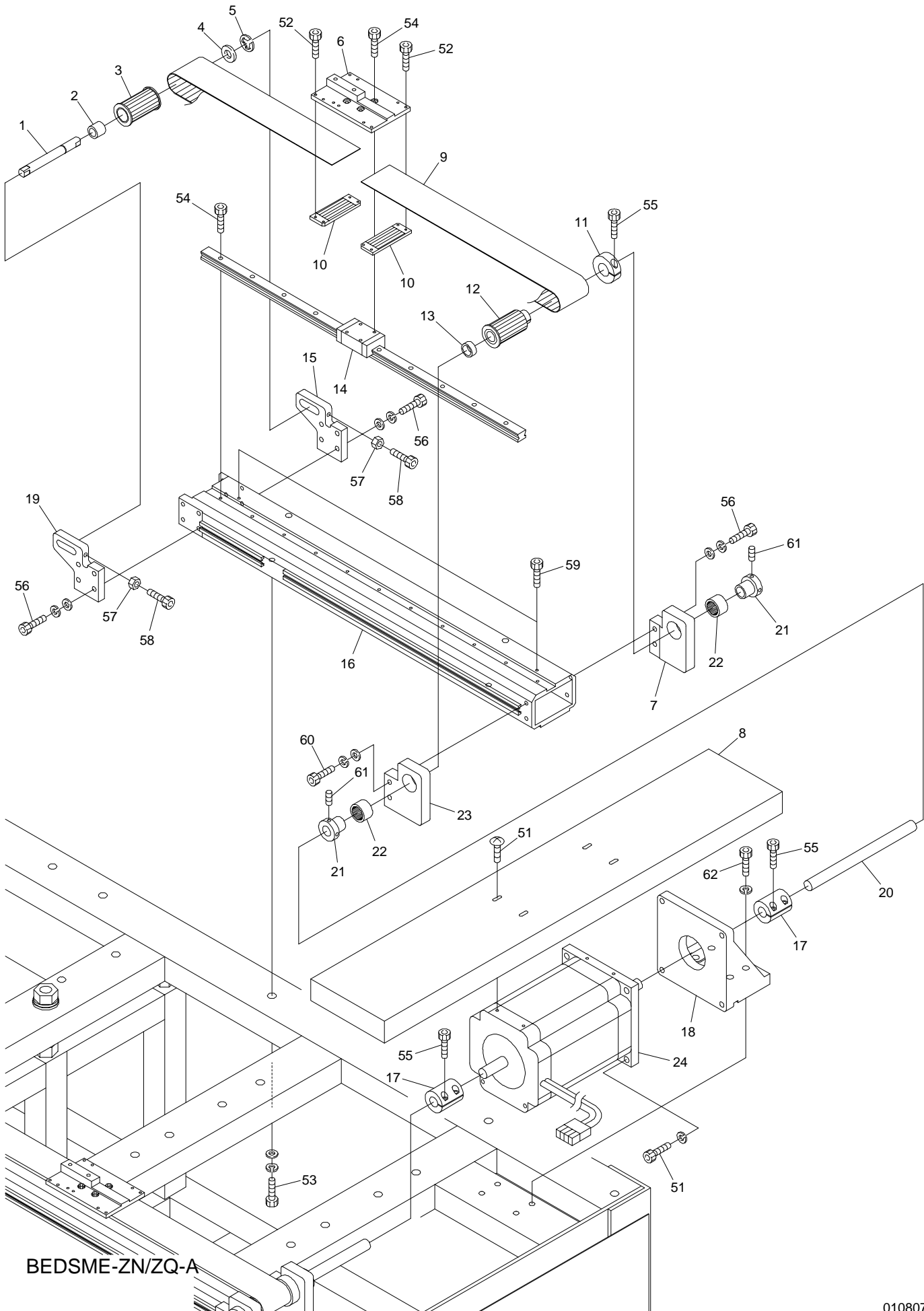


BEDSME-ZN/ZQ-A

010718

ITEM	LIST NO.	DESCRIPTION	Q'TY	NOTE
1	RJ480060	Timing pulley shaft	1	
2	RJ480070	Timing pulley position decision collar	1	
3	RF480140	Pantograph drive pulley front(W=50)	1	
4	A9010070	Thrust washer	1	
5	A9012052	E-ring 10 dia.	1	
6	SF480110	V-roller base(BEDSME-A)	1	
7	RF480090	Pantograph drive pulley fixing base(L)	1	
8	RJ450021	Magnet fixing bracket a'ssy	1	
9	RR480080	Free span belt(B500-S5M)	1	
10	RF480260	Timing belt hold rack(W=50)	2	
11	HH481980	Clamping 19 dia.	1	
12	RF480100	Pantograph drive pulley rear(W=50)	1	
13	RJ480080	Pantograph drive pulley position decision collar	1	
14	RF480360530	LM guide(ST=530)	1	
15	RJ480050	Timing pulley fixing bracket(L)	1	
16	SF480100	V-guide rail base(Stroke 480)	1	
17	RJ450010	RS-001 bracket a'ssy	2	
18	RJ450001	Origin point sensor bracket a'ssy	1	
19	RJ480040	Timing pulley fixing bracket(R)	1	
20	HB320070	Connecting shaft 15 dia. x3300	1	
21	HH481970	Pulse motor connecting shaft collar	2	
22	A9011063	Needle bearing(TLA2016)	2	
23	RF480080	Pantograph drive pulley fixing base(R)	1	
51		Hex.socket bolt M3x8		
52		Hex.socket bolt M3x15		
53		Hex.socket bolt M8x30(With washers)		
54		Hex.socket bolt M4x12(With spring washer)		
55		Hex.socket bolt M5x18		
56		Hex.socket bolt M6x22(With washers)		
57		Hex.nut M6		
58		Hex.socket bolt M6x45		
59		Hex.socket bolt M4x8		
60		Hex.socket bolt M6x25(With washers)		
61		Hex.socket set screw M5x8		

# 10G Pantograph drive G



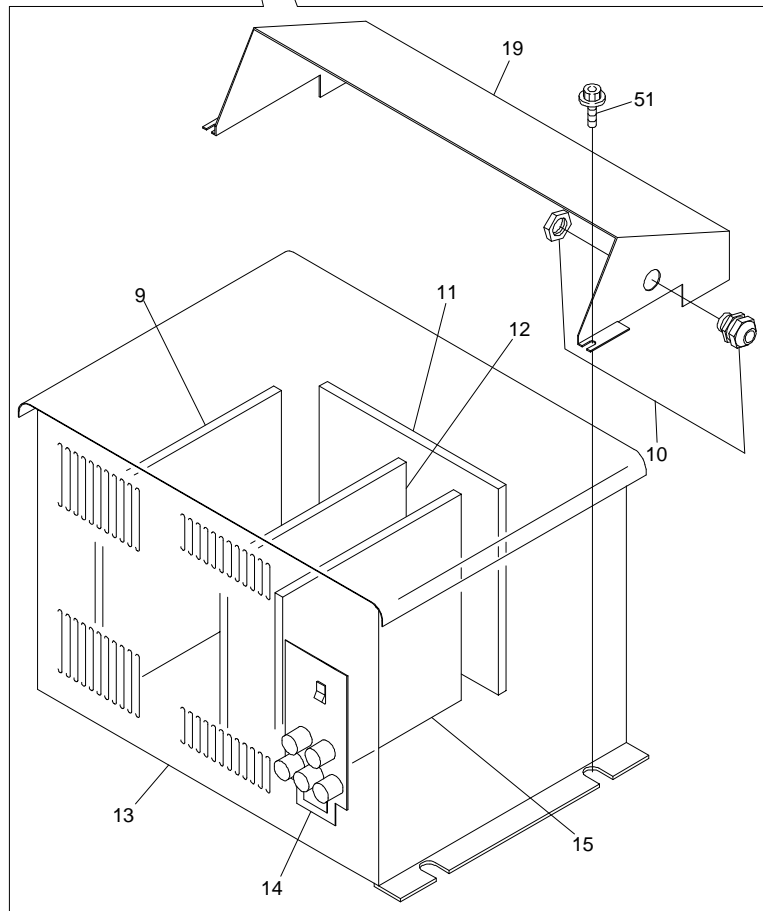
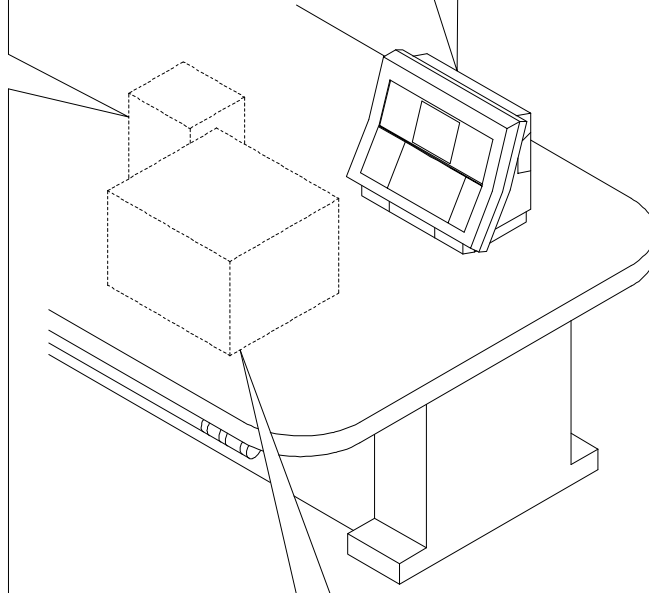
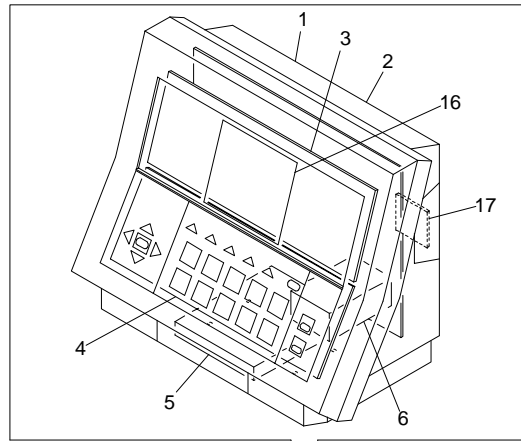
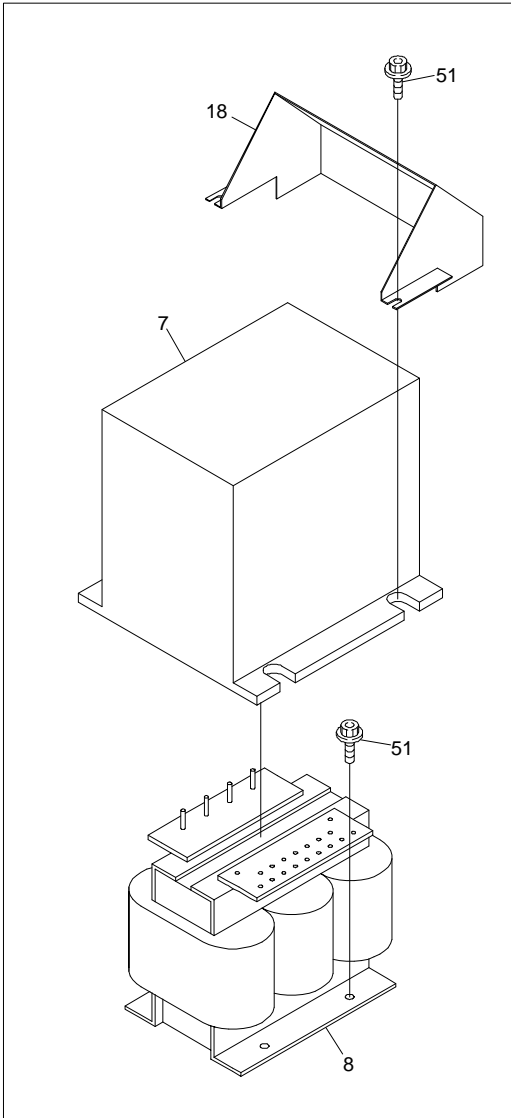
BEDSME-ZN/ZQ-A

10G Pantograph drive G

ITEM	LIST NO.	DESCRIPTION	Q'TY	NOTE
1	RJ480060	Timing pulley shaft	1	
2	RJ480070	Timing pulley position decision collar	1	
3	RF480140	Pantograph drive pulley front(W=50)	1	
4	A9010070	Thrust washer	1	
5	A9012052	E-ring 10 dia.	1	
6	SF480110	V-roller base(BEDSME-A)	1	
7	RF480090	Pantograph drive pulley fixing base(L)	1	
8	SF310180	V-pantograph drive cover	1	
9	RR480080	Free span belt(B500-S5M)	1	
10	RF480260	Timing belt hold rack(W=50)	2	
11	HH481980	Clamping 19 dia.	1	
12	RF480100	Pantograph drive pulley rear(W=50)	1	
13	RJ480080	Pantograph drive pulley position decision collar	1	
14	RF460360530	LM guide(ST=530)	1	
15	RJ480050	Timing pulley fixing bracket(L)	1	
16	SF480100	V-guide rail base(Stroke 480)	1	
17	HH481931	Pulse motor coupling	1	
18	RK480020	Pulse motor bracket	1	
19	RJ480040	Timing pulley fixing bracket(R)	1	
20	HB320070	Connecting shaft 15 dia. x3300	1	
21	HH481970	Pulse motor connecting shaft collar	2	
22	A9011063	Needle bearing(TLA2016)	2	
23	RF480080	Pantograph drive pulley fixing base(R)	1	
24	HV480060	Pulse motor(TS3650N2)	1	
51		Truss screw M4x10		
52		Hex.socket bolt M3x15		
53		Hex.socket bolt M8x30(With washers)		
54		Hex.socket bolt M4x12(With spring washer)		
55		Hex.socket bolt M5x18		
56		Hex.socket bolt M6x22(With washers)		
57		Hex.nut M6		
58		Hex.socket bolt M6x45		
59		Hex.socket bolt M4x8		
60		Hex.socket bolt M6x25(With washers)		
61		Hex.socket set screw M5x8		

From the library of: Diamond Needle Corp

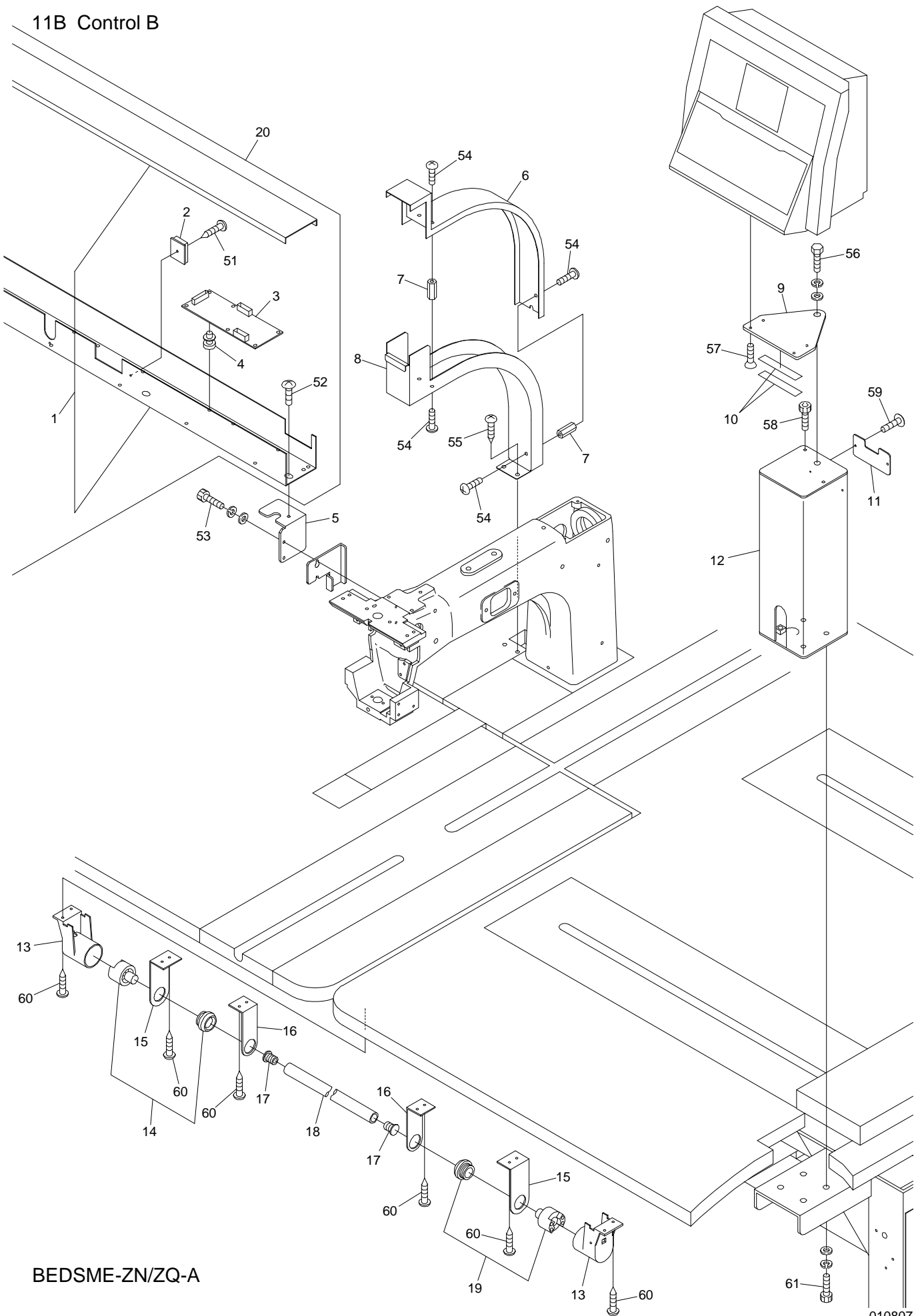
11A Control A







11B Control B

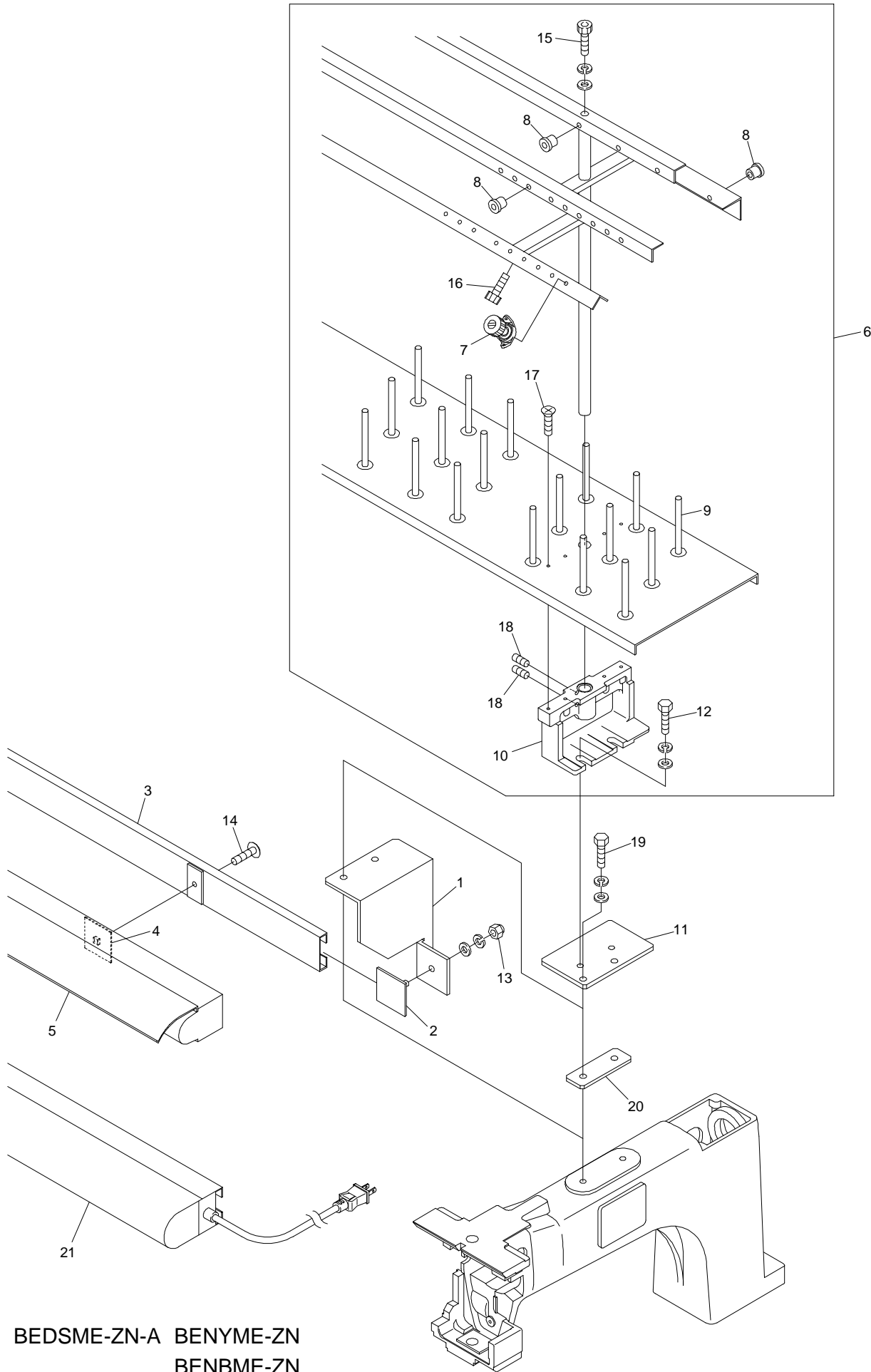


BEDSME-ZN/ZQ-A

From the library of: Diamond Needle Corp

ITEM	LIST NO.	DESCRIPTION	Q'TY	NOTE
1	SF510071	Cable duct(DSME-A12,P=380)	1	12T
	SF510141	Cable duct(DSME-A15,P=380)	1	15T
2	A9068032	FCW clamp FCW-26	Hx1	
3	EBY01663	8511 Board in duct	Hx1	
4	A9068033	Locking guard spacer KGLS-6RF	Hx5	
5	LA330130	Duct support bracket		
6	SF510020	Cable duct(BEDSME) cover	1	
7	KX510150	Nut for cable duct(ZN)	3	
8	SF510010	Cable duct(BEDSME)	1	
9	RR510010	Automat bracket	1	
10	HV330022	Automat bracket spacer	2	
11	SF330020	Cable plate	1	
12	SF330010	Automat base	1	
13	KF530150	Push button switch cap	2	
14	KF530120	Push button switch NS319(Green)	1	
15	KC530230	Bar switch braket(Large)	2	
16	KC530240	Bar switch bracket(Small)	2	
17	KF530171	Switch bar cap	2	
18	KF530162	Switch bar	1	Cut product
19	KF530111	Push button switch NS319(Red)	1	
20	SF510081	Cable duct set(DSME-ZN-A12,P=380)		
	SF510091	Cable duct set(DSME-ZQ-A12,P=380)		
	SF510151	Cable duct set(DSME-ZN-A15,P=380)		
	SF510161	Cable duct set(DSME-ZQ-A15,P=380)		
51		Tapping screw f3x8		
52		Truss screw M5x8		
53		Hex.socket bolt M4x16(With washers)		
54		Pan screw M4x6		
55		Tapping screw f4x15		
56		Hex.bolt M10x25		
57		Flush screw M4x10		
58		Hex.socket bolt M5x6		
59		Truss screw M4x6		
60		Tapping screw f4x20		
61		Hex.socket bolt M8x20		

12-1 Accessories(ZN)



From the library of: Diamond Needle Corp

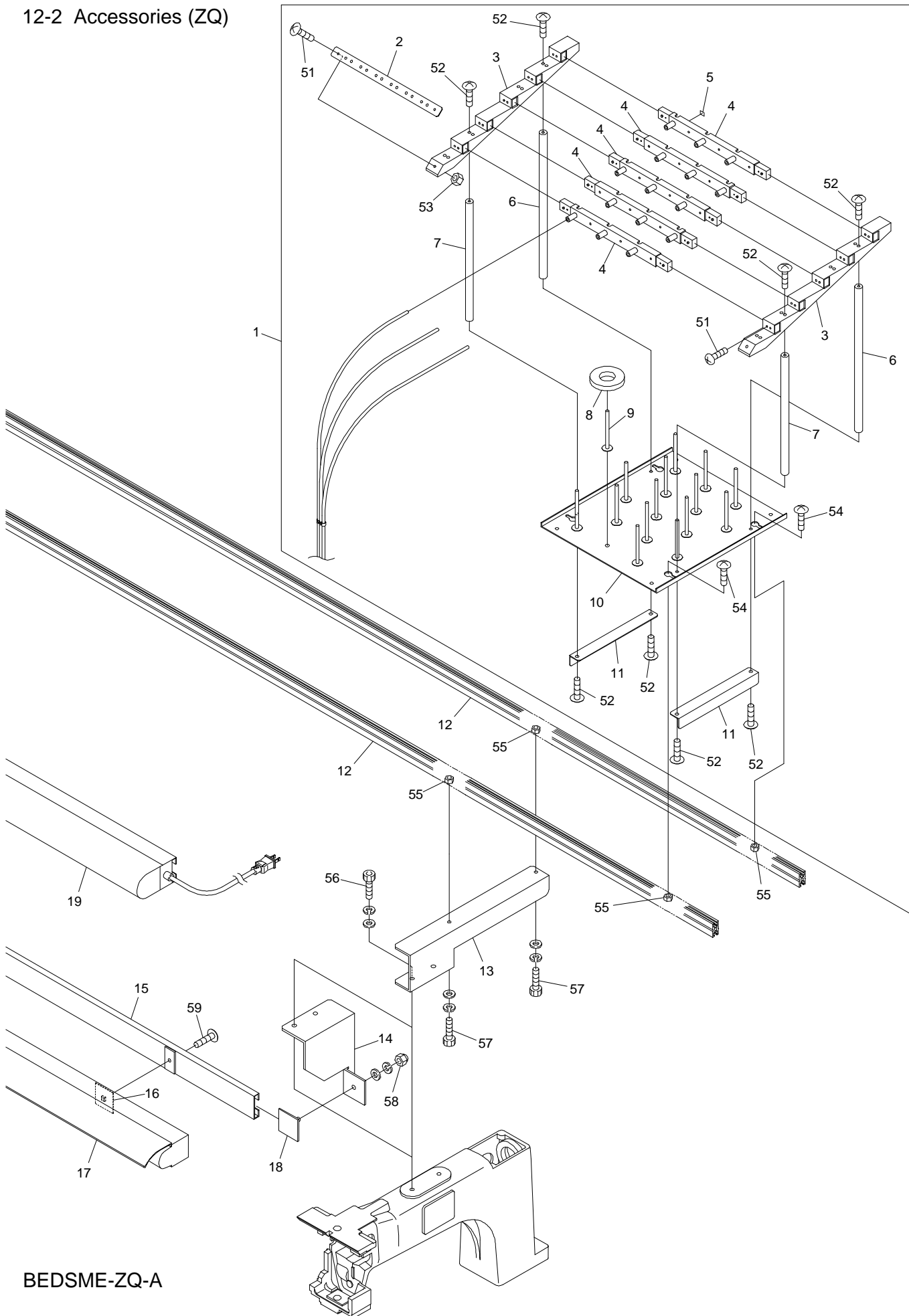
BEDSME-ZN-A BENYME-ZN  
BENBME-ZN

12-1 Accessories(ZN)

ITEM	LIST NO.	DESCRIPTION	Q'TY	NOTE
1	SF710030	Fluorescent lamp mount lower bracket		
2	KW710040	Fluorescent lamp mount bolt		
3	SF710010	Fluorescent lamp mount guide rail(1set)		
	SF710020	Fluorescent lamp mount guide rail(2set)		
4	HB710020	Fluorescent lamp mount plate		
5	HV710010	Fluorescent lamp MK-4111T7-A/B(100V)		
	HV710020	Fluorescent lamp MK-4111T8-C/D(200V)		
6	2CHT912380	Spool stand for YN	1	12T
	1HP12380	Spool stand for YS	1	12T
	2CHT915380	Spool stand for YN	1	15T
	1HP15380	Spool stand for YS	1	15T
7	HP241430	Thread tension unit complete(D=13.5)	Hx9	
8	KF240900	Thread guide ceramic(For spool stand)	Hx18	
9	HT710000	Spool stand pin	Hx9	
10	HP710791	Spool stand base		
11	KX250090	Spool stand fixed spacer(ZN)		
12		Hex.bolt M8x20		
13		Cap nut M8		
14		Truss screw M6x15		
15		Hex.socket bolt M8x45		
16		Hex.socket bolt M5x6		
17		Flush screw M4x12		
18		Hex.socket set screw M5x8		
19		Hex.bolt M8x20(With washers)		
20	KW710050	Spool stand fixed spacer		
21	SF710040	Fluorescent lamp a'ssy 12x380		U.S. model
	SF710050	Fluorescent lamp a'ssy 15x380		U.S. model

From the library of: Diamond Needle Corp

# 12-2 Accessories (ZQ)



BEDSME-ZQ-A

12-2 Accessories(ZQ)

ITEM	LIST NO.	DESCRIPTION	Q'TY	NOTE
1	MG710082	Spool holder a'ssy(15 needles) (Short tube type)	Hx1	Includes below parts RD240430,RD240440, Hex.socket bolt M3x15
2	RD710370	Hose hold bracket	Hx1	
3	RD710340	Guide base(15 needles)	Hx2	
4	RD710330	Thread guide base	Hx5	
5	RD710380	Number seal	Hx1	
6	RD710361	Pillar B	Hx2	
7	RD710351	Pillar A	Hx2	
8	KF710390	Spool holder felt(8x34xf70)	Hx15	
9	HT710000	Spool holder pin	Hx15	
10	RD710321	Spool holder base(15 needles)	Hx1	
11	RD710490	Angle	Hx2	
12	RD710040	Aluminum frame		Cut product
13	LA710012	Spool holder fixed base(ZQ-A)		
14	SF710030	Fluorescent lamp mount lower bracket		
15	SF710010	Fluorescent lamp mount guide rail(1set)		
	SF710020	Fluorescent lamp mount guide rail(2set)		
16	HB710020	Fluorescent lamp mount plate		
17	HV710010	Fluorescent lamp MK-4111T3-A/B(100V)		
	HV710020	Fluorescent lamp MK-4111T4-C/D(200V)		
18	KW710040	Fluorescent lamp mount bolt		
19	SF710040	Fluorescent lamp a'ssy 12x380		U.S. Model
	SF710050	Fluorescent lamp a'ssy 15x380		U.S. Model
51		Truss screw M4x10		
52		Truss screw M5x12		
53		Hex.nut M4		
54		Truss screw M6x12		
55		Hex.nut M6		
56		Hex.socket bolt M8x20		
57		Hex.socket bolt M6x15		
58		Cap nut M8		
59		Truss screw M6x15		